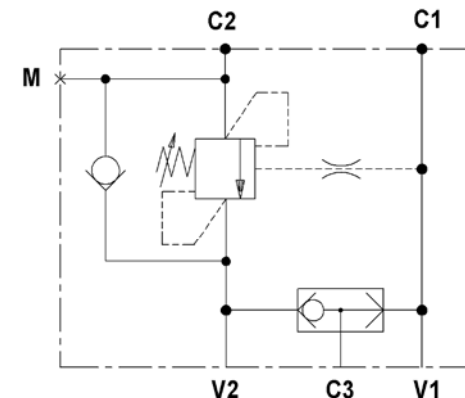
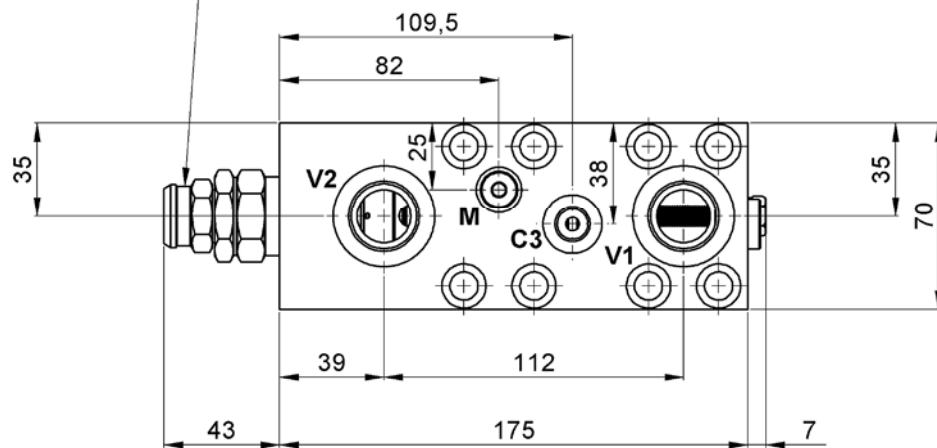


Inner socket screw hex.5



Operating pressure: up to 210 bar
Max. flow: 170 l/min

PRESSURE SETTINGS
250 bar 5 l/min
Adj. pressure range: 100-350 bar
pressure increase 110 bar/turn
Pilot ratio: 4:1

Port size:
V1,V2 = G 3/4 ISO 1179-1
C1 = \varnothing 20
C2 = \varnothing 13
C3 = G 1/4 ISO 1179-1

Manifold: black anodizing aluminium
Seal: BUNA N-70 SHORE

Note:
aluminium bodies are often strong enough for operating pressures exceeding 210 bar (3045 psi), depending from the fatigue life expected in the specific application.

For dimensions without tolerance, consider ± 0.5 mm

All dimensions : mm

Denominazione / Denomination		VBSOSE-33-FAMT500-3435-C		Rexroth Bosch Group	
Specifiche / Specifications					
Richiesta / Request		UT11950		Ufficio Tecnico / Technical Dep. DC-MA/ECM	
Tipo cavità / Cavity type		A3		Gerarchia Prodotto / Product Hierarchy 876204611	
Massa / Mass (kg)		2,320		Kit guarniz. / Seal kit -	
Studio di riferimento / Reference study				Modifiche / Changes	
Disegnato / Designed by		Ferraresi		Data / Date 20/11/12	
Verificato / Checked by		Ortiz		Scala / Scale 1:2	
Direttorio del file Cad / Cad file directory		K:\Design\Cad 3D\Ingombri\05470603043500C		Sostituisce il / Replaces 05470603043500B	
Disegno di proprietà BOSCH REXROTH OIL CONTROL S.p.A. tutelato ai termini di legge. E' vietata la riproduzione e la diffusione non autorizzata. This drawing is a property of BOSCH REXROTH OIL CONTROL S.p.A. protected according to the laws. Unauthorized reproduction and distribution is strictly prohibited.				Codice Code 05470603043500C	
				Material number R930007145	