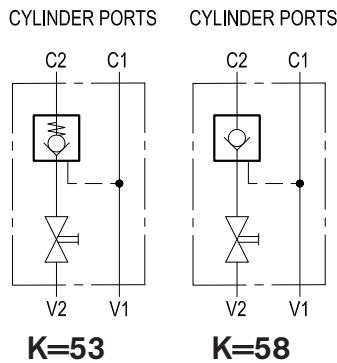


Pilot operated check, single, manual shut-off

VSO-SE-DL-FCV-SX

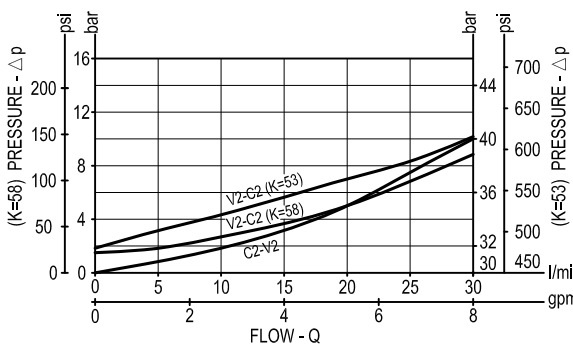
05.52 - K - X - Y - Z



Description

A tap, manually controlled by the operator, allows inlet flow from V2 to pass through the check valve to C2: as a result, the motion of the actuator (typically the extension and positioning of an outrigger) happens under the operator's direct sight. The valve is normally closed (checked) and virtually leak-free from C2 to V2 in order to prevent reverse motion. Flow outlet from C2 to V2 and reverse motion (i.e. outrigger retraction or lifting up) is possible with manual tap open and if sufficient pilot pressure is present at V1-C1 so that the pilot piston may push the poppet from its seat. For compact assembly, the C2 port is banjo bolted directly onto the actuator port.

Performance



Technical data

Hydraulic

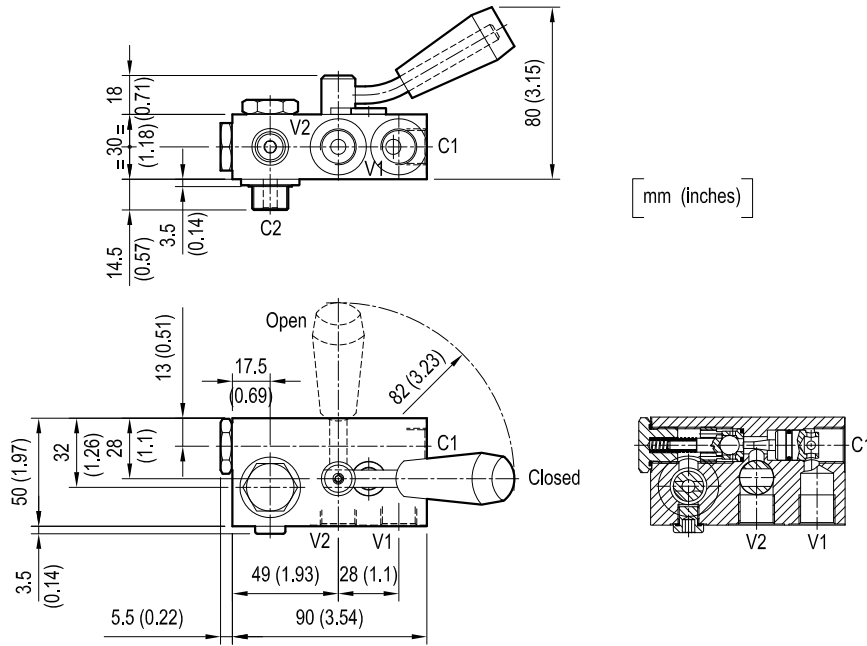
Operating pressure	bar (psi)	up to 210 (3000)
Max. flow	l/min (gpm)	30 (8)
Pilot ratio		5.4 : 1
Installation torque	Nm (ft-lb)	50-55 (37-41)

General

Manifold material	Aluminium	
Note: aluminium bodies are often strong enough for operating pressures exceeding 210 bar (3000 psi), depending from the fatigue life expected in the specific application. If in doubt, consult our Service Network.		
Weight	kg (lbs)	0.6 (1.32)
Fluid temperature range	°C (°F)	between -30 (-22) and +100 (212)
Other technical data	see data sheet RE 18350-50	

Note: for applications outside these parameters, please consult us.

Dimensions



Ordering code

05.52	K	X	Y	Z
--------------	----------	----------	----------	----------

Pilot operated check, single, manual shut-off

= 53 see hydraulic schemes

= 58

O-Ring on pilot piston

= 10 With O-Ring

SPRINGS

Cracking pressure bar (psi)

= 00	for K=58	1.6 (23)
	for K=53	32 (464)

Port sizes	V1 - V2	C1 - C2
= 02	G 3/8	G 3/8

Type	Material number
055253100200000	R930002363
055258100200000	R930002367

Type	Material number