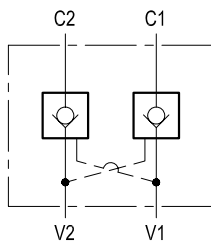


Pilot operated check, dual

VSO-DE

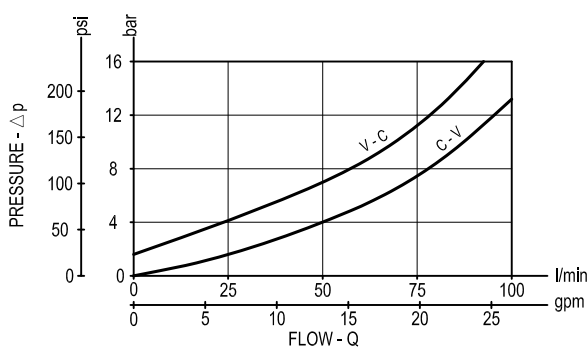
05.53.01 - X - 04 - Z



Description

Flow is allowed to pass in one direction (V1 to C1 or V2 to C2), then the valve remains closed (checked) in both reverse directions (C1 to V1 or C2 to V2) in order to hold and lock in position the cylinder or other actuators; reverse flow is possible only when sufficient pilot pressure is applied at V2 or V1, which act as cross connected pilot ports, and the pilot piston lifts the poppet from its seat overcoming cylinder port pressure.

Performance



Technical data

Hydraulic

| | | |
|--------------------|-------------|------------------|
| Operating pressure | bar (psi) | up to 210 (3000) |
| Max. flow | l/min (gpm) | 100 (26) |
| Pilot ratio | | 4 : 1 |

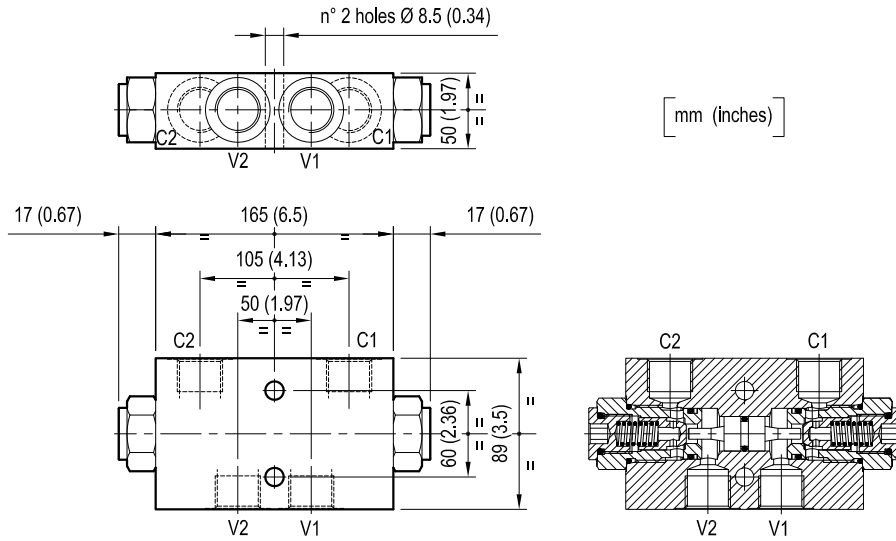
The version with O-Ring and heavier spring is generally recommended.

General

| | | |
|--|----------------------------|----------------------------------|
| Manifold material | Aluminium | |
| Note: aluminium bodies are often strong enough for operating pressures exceeding 210 bar (3000 psi), depending from the fatigue life expected in the specific application. If in doubt, consult our Service Network. | | |
| Weight | kg (lbs) | 2.55 (5.6) |
| Fluid temperature range | °C (°F) | between -30 (-22) and +100 (212) |
| Other technical data | see data sheet RE 18350-50 | |

Note: for applications outside these parameters, please consult us.

Dimensions



[mm (inches)]

Ordering code

| | | | |
|-----------------|----------|-----------|----------|
| 05.53.01 | X | 04 | Z |
|-----------------|----------|-----------|----------|

Pilot operated check, dual

O-Ring on pilot piston

= 00 No O-Ring

= 10 With O-Ring

| | | | |
|------------|---------|---------|--|
| Port sizes | V1 - V2 | C1 - C2 | |
| | G 3/4 | G 3/4 | |

SPRINGS

Cracking pressure
bar (psi)

| | | |
|------|----------------------|----------|
| = 00 | only for X=00 | 1.5 (22) |
| = 01 | for X=00 and X=10 | 8 (116) |

| Type | Material number |
|-----------------|-----------------|
| 055301000400000 | R930002396 |
| 055301000401000 | R930002397 |
| 055301100401000 | R930002403 |
| | |
| | |
| | |
| | |
| | |
| | |

| Type | Material number |
|------|-----------------|
| | |
| | |
| | |
| | |
| | |
| | |
| | |
| | |