

Dual counterbalance with brake release port

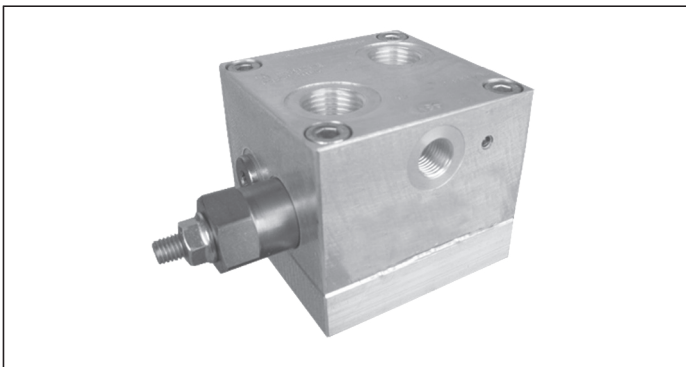
VBSO-DE-VF-30-FM

06.03.01 - X

RE 18308-56

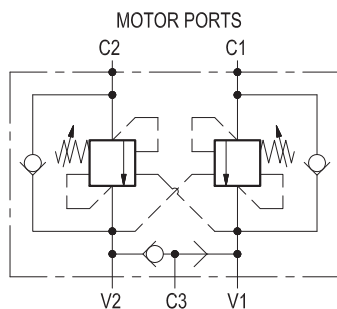
Edition: 03.2016

Replaces: 04.2010



Description

It provides static and dynamic motion control by regulating the flow IN and OUT of the hydraulic motor, through ports C1 and C2. It includes 2 sections, each one composed by a check and a relief valve pilot assisted by pressure in the opposite line: the check allows free flow into the motor, then locks and prevents reverse movement. With pilot pressure applied at the line across, the pressure setting of the relief is reduced in proportion to the stated ratio until opening and allowing controlled reverse motion. With motor turning and without pilot pressure, the relief function builds up back-pressure at the motor port in order to stop the motion. Back-pressure at V1 or V2 is additive to the pressure setting in all functions. Through port C3, a shuttle valve directs either V1 or V2 line pressure to the spring actuated brake for brake releasing.



Technical data

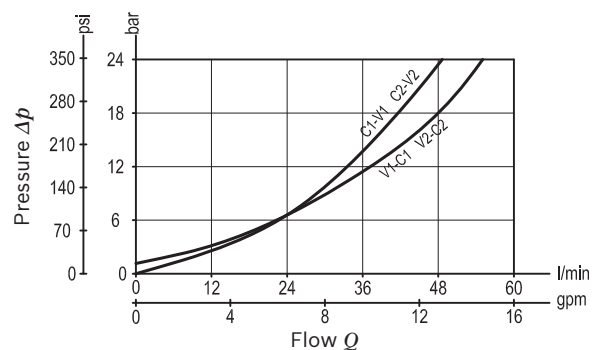
Operating pressure	up to 210 bar (3000 psi)
Max. flow	60 l/min. (16 gpm)
Flangeable on SAUER-DANFOSS orbital motors OMS series.	
Relief setting: at least 1.3 times the highest expected load. In addition, both the relief setting and the pilot ratio must be determined in order to achieve building-up of pilot pressure in V1 or V2 high enough to release the brake prior to any valve opening.	
Weight	1.6 kg (3.5 lbs)
Manifold material	Aluminium

Note: aluminium bodies are often strong enough for operating pressures exceeding 210 bar (3000 psi), depending from the fatigue life expected in the specific application. If in doubt, consult our Service Network.

Fluid	Mineral oil (HL, HLP) according DIN 51524
Fluid temperature range	-30 °C to 100 (-22 to 212 °F)
Viscosity range	10 to 500 mm ² /s (cSt)
Recommended degree of fluid contamination	Class 19/17/14 according to ISO 4406
Other technical data	see data sheet 18350-50

Note: for applications outside these parameters, please consult us.

Characteristic curve



Ordering code

06.03.01	X
----------	---

Dual counterbalance
with brake release port

Pilot ratio

013 4.2:1

023 11:1

	SPRINGS		
	Adj. pressure range bar (psi)	Pres. increase bar/turn (psi/turn)	Std. setting Q=5 (l/min.) bar (psi)
for X=013	60-210 (900-3000)	56 (812)	200 (2900)
for X=023	60-250 (900-3600)	70 (1015)	250 (3600)

Port sizes	V1 - V2	C1 - C2	C3
	G 1/2	G 1/2	G 1/4

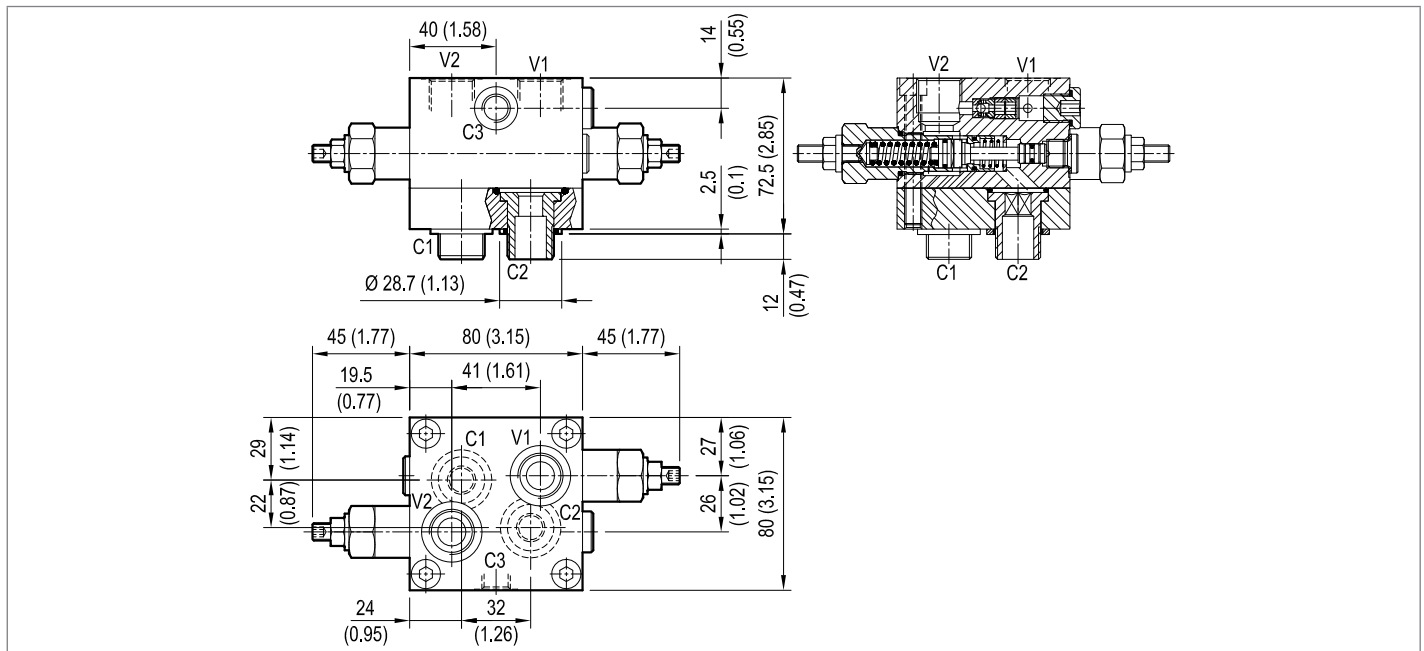
Tamper resistant cap
ordering code 11.04.23.002
Mat. no. R930000752



Type	Material number
06030101300000C	R930002738
06030102300000D	R930002751

Type	Material number

Dimensions



Bosch Rexroth Oil Control S.p.A.

Via Leonardo da Vinci 5
P.O. Box no. 5
41015 Nonantola – Modena, Italy
Tel. +39 059 887 611
Fax +39 059 547 848
compact-hydraulics-pib@boschrexroth.com
www.boschrexroth.com/compacthydraulics

© This document, as well as the data, specifications and other information set forth in it, are the exclusive property of Bosch Rexroth Oil Control S.p.a.. It may not be reproduced or given to third parties without its consent. The data specified above only serve to describe the product. No statements concerning a certain condition or suitability for a certain application can be derived from our information. The information given does not release the user from the obligation of own judgment and verification. It must be remembered that our products are subject to a natural process of wear and aging. Subject to change.