

SINGLE COUNTBALANCE WITH REGENERATIVE FUNCTION, PRESSURE CONTROLLED

VALV.-RIGEN.-CESOIE-V-C

07.06.70.30.00.00.V0C

Material number R930065638

TECHNICAL DATA

Max. operating pressure: 350 bar (5075 psi) Max. flow: 400 l/min (106 gpm)

	Setting bar (psi)	Adj. pressure range bar (psi)	Pressure increase bar/turn (psi/turn)
Valve 1 (Q=5 l/min)	80 (1160)	30 - 80 (435 - 1160)	17 (247)
Valve 2 (Q=5 l/min)	250 (3625)	120 - 360 (1740 - 5220)	60 (870)
Valve 3 (Q=5 l/min)	250 (3625)	120 - 360 (1740 - 5220)	60 (870)

Relief setting: at least 1.3 times the highest expected load

Port size	Pilot ratio
V1-V2: 1-1/4" SAE6000	Valve 1: 6:1
C1-C2: Ø28 (1.1)	Valve 2: 6:1
	Valve 3: 6:1

**Material**  
 Manifold: zinc plated cast iron  
 External parts: zinc plated steel

Weight: 16,9 kg (37, lbs)

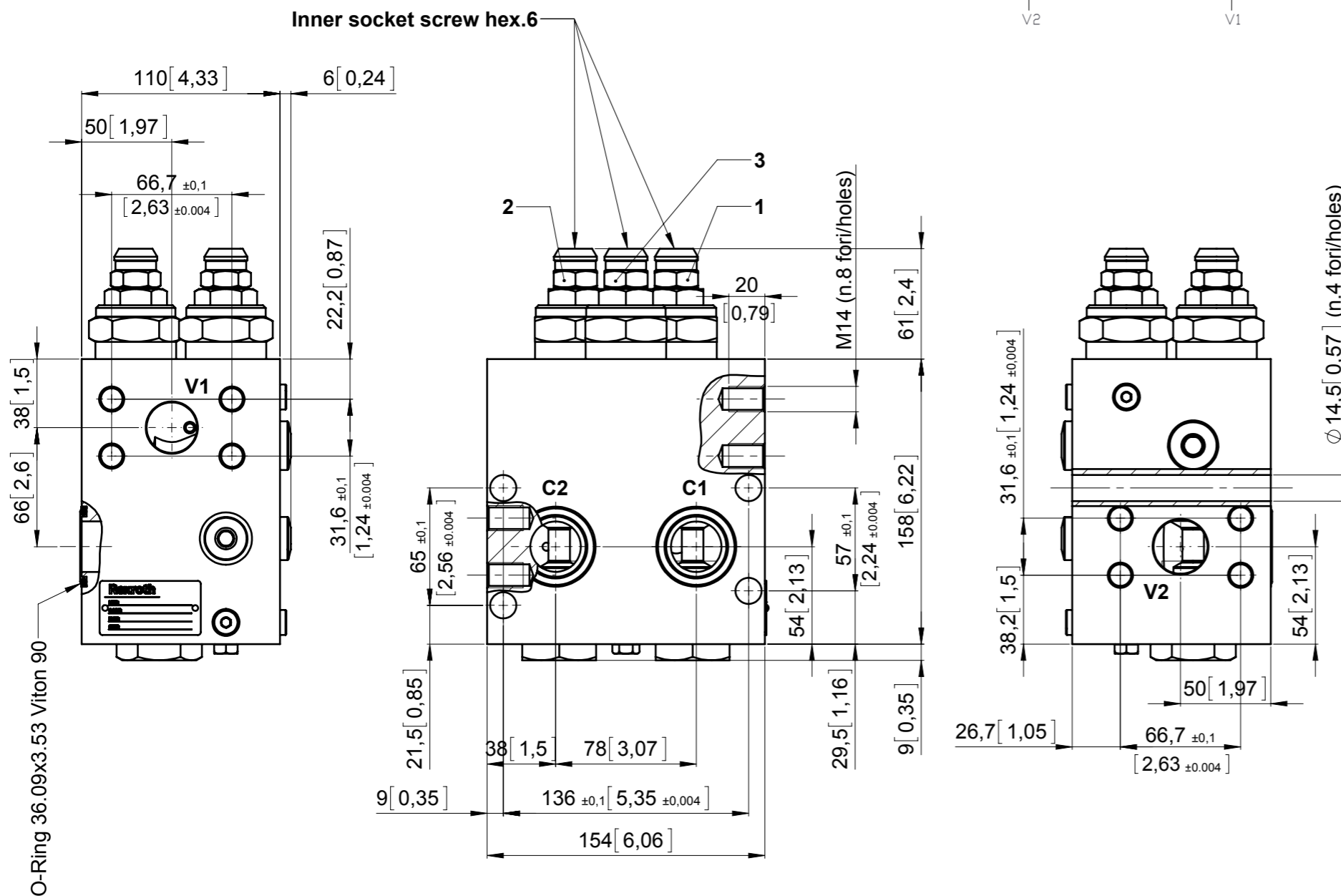
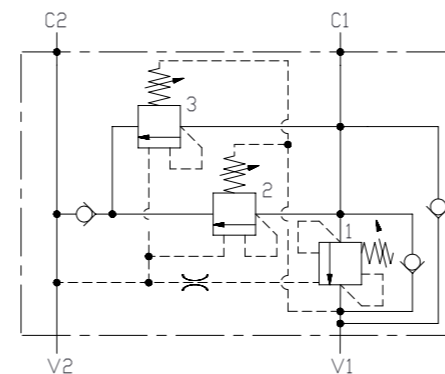
Hydraulic fluid	Hydraulic fluid temperature range
Mineral oil (HL, HLP) according to DIN 51524	-30 to +100°C (-22 to 212°F)

Viscosity range	Filtration
5 to 800 mm <sup>2</sup> /s (cSt)	Class 19/17/14 according to ISO 4406

**Application**  
 Hydraulic crusher

Other Technical data: see data sheet 18350-50

Designed by: Lelli Checked by: Bruni Date: 21/02/17



mm [inches]

For dimensions without tolerance, consider ±0.5 mm [0.02 inches]

