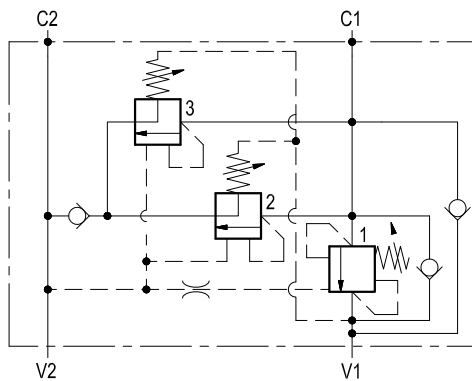
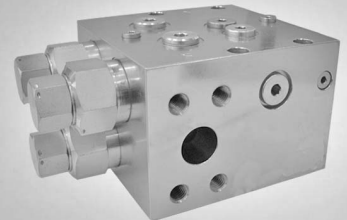


Single counterbalance with regenerative function, pressure controlled

A-VBSO-CR-EA-42

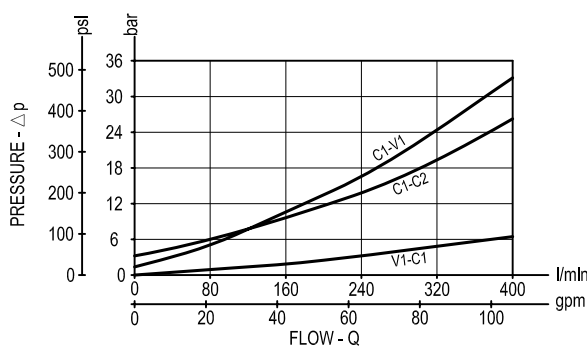
07.06.7030



Description

It provides high speed cylinder extension at low pressure operation; the extension speed increment given by the regenerative function disappears when line pressure in V2 increases above the pressure threshold needed to pilot open valve (1) which diverts to tank the flow from the annular chamber. Two pilot assisted by-pass counterbalance "fully vented type" valves (2 and 3) provide the regenerative function by feeding into the full bore (C2) the flow coming out from the annular side (C1). The by-pass valves (2 and 3) are piloted by V2 pressure and are internally vented into V1 which acts as "Tank" line during cylinder extension. For better safety and compact assembly, the C1 and C2 ports are gasket mounted directly on the actuator.

Performance



Technical data

Hydraulic

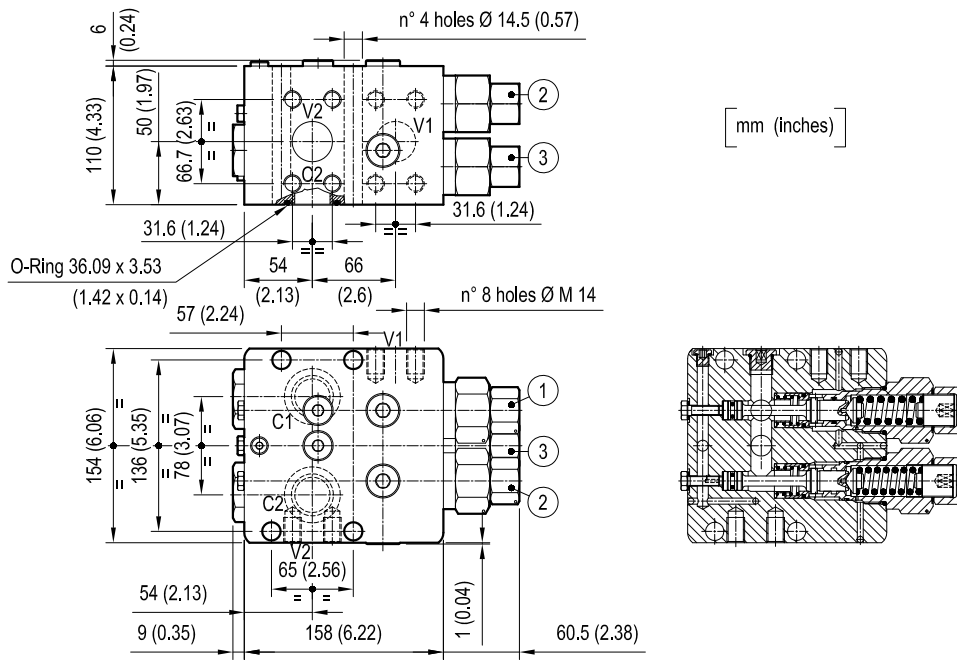
Max. operating pressure	bar (psi)	350 (5000)
Max. flow	l/min (gpm)	400 (106)

General

Manifold material		Steel
Weight	kg (lbs)	19.2 (42.3)
Fluid temperature range	°C (°F)	between -30 (-22) and +100 (212)
Other technical data		see data sheet RE 18350-50

Note: for applications outside these parameters, please consult us.

Dimensions



Ordering code

07.06.7030

Counterbalance
with regenerative function

Pilot ratio

Valve 1	6 : 1
Valve 2	6 : 1
Valve 3	6 : 1

Port sizes	V1-V2	C1-C2	
	1-1/4" SAE6000	Ø 28 (1.10)	

SPRINGS

	Adj. pressure range bar (psi)	Pres. increase bar/turn (psi/turn)	Std. setting Q=5 (l/min.) bar (psi)	
Valve 1	30-80 (450-1160)	17 (247)	80 (1160)	Pilot opening with 100 bar (1450 psi) rod side
Valve 2	120-360 (1750-5220)	60 (870)	250 (3600)	
Valve 3	120-360 (1750-5220)	60 (870)	250 (3600)	

Type	Material number
070670300000V00	R930001189

Type	Material number