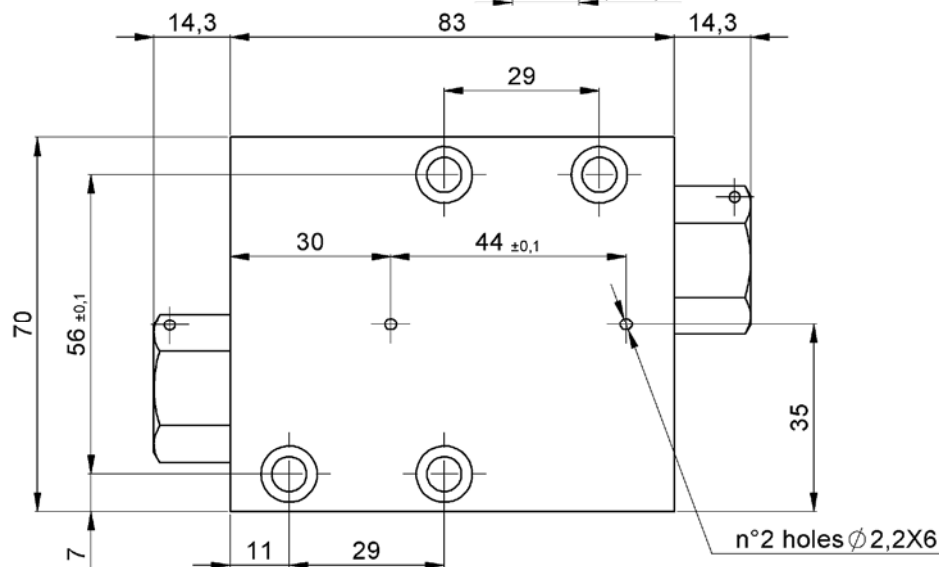
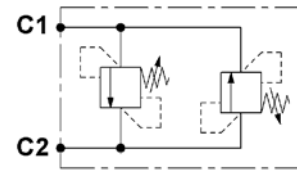
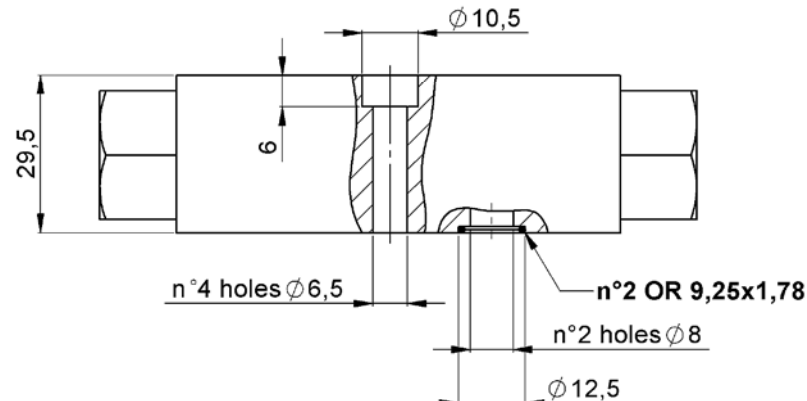


**Max. pressure: 330 bar**  
**Max. flow: 40 l/min.**  
**Weight: 0,8 Kg**  
**Pressure setting: at least 1,3 times the load induced pressure.**  
**Special for: Axial**

**Port size**  
**C1-C2: Ø8**

**Pressure setting: 230 bar (Q=20 l/min.)**  
**Adj. press. range: 100-330 bar**  
**Pressure increase: 87 bar/turn**

**Manifold: zinc plated steel**



For dimensions without tolerance, consider  $\pm 0.5$  mm

All dimensions : mm

Denominazione / Denomination <b>AVSDI30FM-AXIAL-MOR-16-03-B</b>		 <b>Bosch Rexroth Oil Control S.p.A.</b> Ufficio Tecnico <b>DC-MA/</b> Gerarchia Prodotto Product Hierarchy Kit guarniz. Seal kit	
Specifiche / Specifications			
Massa / Mass (kg)		Cliente e codice articolo / Customer and article code	
Richiesta / Request		Num. schema idraulico / Hydraulic scheme no. -	
Tipo cavità / Cavity type		Studio di riferimento / Reference study	
Disegno di proprietà BOSCH REXROTH OIL CONTROL S.p.A. tutelato ai termini di legge. E' vietata la riproduzione e la diffusione non autorizzata. This drawing is a property of BOSCH REXROTH OIL CONTROL S.p.A. protected according to the laws. Unauthorized reproduction and distribution is strictly prohibited.		Disegnato / Designed by <b>Rebecchi</b> Data / Date <b>11/02/16</b>	
		Verificato / Checked by <b>Bruni</b> Scala / Scale <b>1:1</b>	
		Direttorio del file Cad / Cad file directory K:\Design\Cad 3D\Ingombrri\08164303022003B	
		Material number	

MODIFICHE  
CHANGES