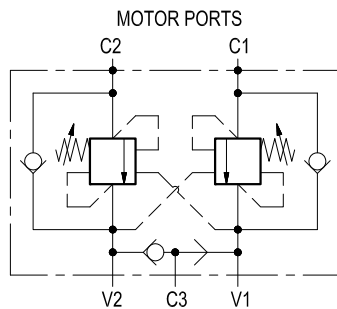


Dual counterbalance, with brake release port

A-VBSO-DE-VF-30

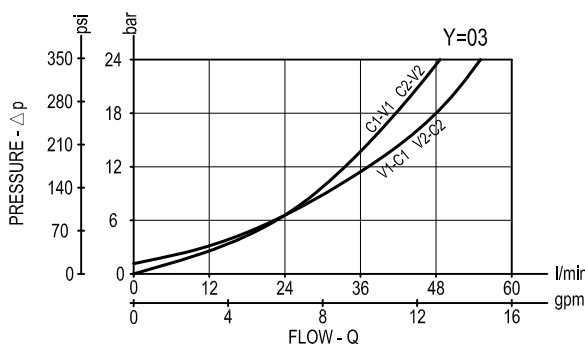
08.44.10 - X - Y - Z



Description

It provides static and dynamic motion control by regulating the flow IN and OUT of the hydraulic motor, through ports C1 and C2. It includes 2 sections, each one composed by a check and a relief valve pilot assisted by pressure in the opposite line: the check allows free flow into the motor, then locks and prevents reverse movement. With pilot pressure applied at the line across, the pressure setting of the relief is reduced in proportion to the stated ratio until opening and allowing controlled reverse motion. With motor turning and without pilot pressure, the relief function builds up back-pressure at the motor port in order to stop the motion. Back-pressure at V1 or V2 is additive to the pressure setting in all functions. Through port C3, a shuttle valve directs either V1 or V2 line pressure to the spring actuated brake for brake releasing.

Performance



Technical data

Hydraulic

Max. operating pressure bar (psi) 350 (5000)

Max. flow l/min (gpm) 60 (16)

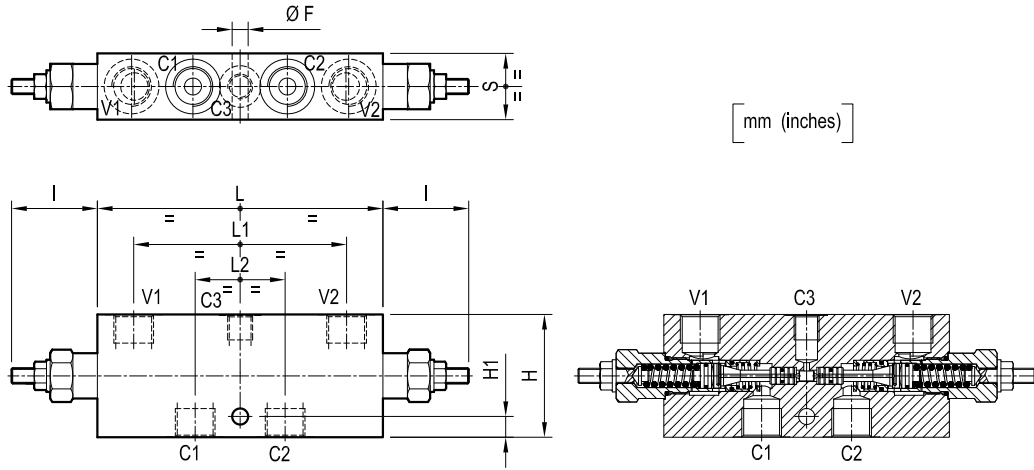
Relief setting: at least 1.3 times the highest expected load.

General

Manifold material	Steel
Weight	see "Dimensions"
Fluid temperature range °C (°F)	between -30 (-22) and +100 (212)
Other technical data	see data sheet RE 18350-50

Note: for applications outside these parameters, please consult us.

Dimensions



[mm (inches)]

35 (1.38)	47.6 (1.87)	112.6 (4.43)	151 (5.95)	45.5 (1.79)	11 (0.43)	65 (2.56)	8.5 (0.34)									G 1/2	2.5 (5.5)
30 (1.18)	47.6 (1.87)	109.6 (4.32)	151 (5.95)	45.5 (1.79)	8.5 (0.34)	55 (2.17)	8.5 (0.34)									G 3/8	1.88 (4.1)
S	L2	L1	L	I	H1	H	F									Y	Weight kg (lbs)

Ordering code

08.44.10	X	Y	Z
-----------------	----------	----------	----------

Dual counterbalance,
with brake release port

Pilot ratio

= 03 4.2:1

= 85 11:1

Port sizes	V1 - V2	C1 - C2	C3
= 02	G 3/8	G 3/8	G 1/4
= 03	G 1/2	G 1/2	G 1/4

SPRINGS

		Adj. pressure range bar (psi)	Pres. increase bar/turn (psi/turn)	Std. setting Q=5 (l/min.) bar (psi)
= 20	for X=03	60-210 (870-3000)	56 (812)	200 (3000)
	for X=85	60-350 (870-5000)	70 (1015)	250 (3600)
= 35	for X=03	100-350 (1450-5000)	138 (2001)	350 (5000)
	for X=85	60-350 (870-5000)	70 (1015)	350 (5000)

Tamper resistant cap
code 11.04.23.002
R930000752



Type	Material number
08441003022000A	R930003382
084410030235000	R930006149
08441003032000A	R930003383
084410030335000	R930003384
08441085022000A	R930003385
084410850235000	R930001956
08441085032000A	R930003386
084410850335000	R930003387

Type	Material number