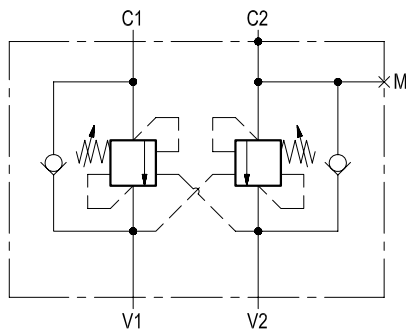


Dual counterbalance



A-VBSO-DE-30-FC1

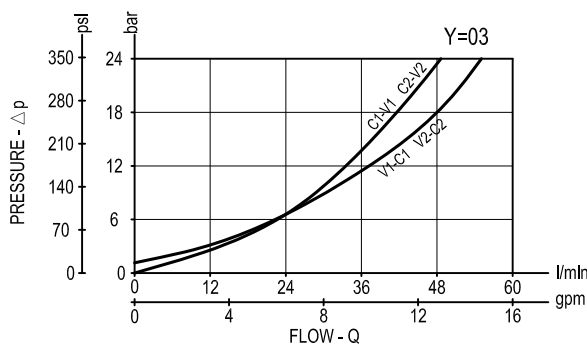
08.44.30 - X - Y - Z



Description

It provides static and dynamic control of load by regulating the flow IN and OUT of the actuator, through ports C1 and C2. This valve module includes 2 sections, each one composed by a check and a relief valve pilot assisted by pressure in the opposite line: the check section allows free flow into the actuator, then holds the load against reverse movement; with pilot pressure applied at the line across, the pressure setting of the relief is reduced in proportion to the stated ratio until opening and allowing controlled reverse flow. Back-pressure at V1 or V2 is additive to the pressure setting in all functions. For better safety and compact assembly, the C2 port is gasket mounted directly on the actuator.

Performance



Technical data

Hydraulic

Max. operating pressure	bar (psi)	350 (5000)
Max. flow	l/min (gpm)	60 (16)

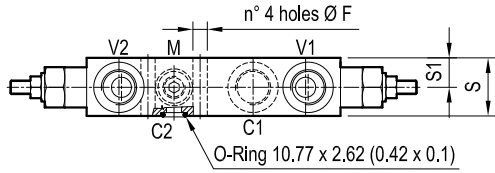
Relief setting: at least 1.3 times the highest expected load.

General

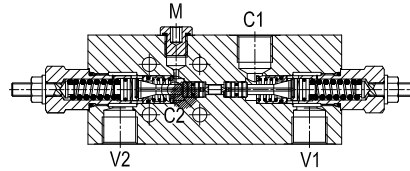
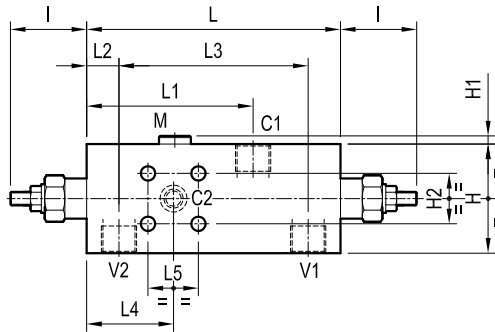
Manifold material	Steel
Weight	see "Dimensions"
Fluid temperature range	°C (°F) between -30 (-22) and +100 (212)
Other technical data	see data sheet RE 18350-50

Note: for applications outside these parameters, please consult us.

Dimensions



[mm (inches)]



17.5 (0.69)	34.5 (1.36)	30 (1.18)	51.7 (2.04)	112.6 (4.43)	19.2 (0.76)	99.3 (3.91)	151 (5.95)	45.5 (1.79)	30 (1.18)	5 (0.2)	65 (2.56)	8.5 (0.34)			G 1/2	2.2 (4.9)
14.8 (0.58)	29.5 (1.16)	30 (1.18)	51.7 (2.04)	109.6 (4.32)	20.7 (0.82)	99.3 (3.91)	151 (5.95)	45.5 (1.79)	30 (1.18)	5 (0.2)	55 (2.17)	8.5 (0.34)			G 3/8	1.7 (3.8)
S1	S	L5	L4	L3	L2	L1	L	I	H2	H1	H	F			Y	Weight kg (lbs)

Ordering code

08.44.30 X Y Z

Dual counterbalance

Pilot ratio

= 03 4.2:1

Port sizes	V1-V2	C1-C2	M
= 02	G 3/8	Ø 9 (0.35)	G 1/4
= 03	G 1/2	Ø 9 (0.35)	G 1/4

SPRINGS

	Adj. pressure range bar (psi)	Pres. increase bar/turn (psi/turn)	Std. setting Q=5 (l/min.) bar (psi)
= 20	60-210 (870-3000)	63 (914)	200 (2900)
= 35	100-350 (1450-5000)	138 (2001)	350 (5000)

Tamper resistant cap
code 11.04.23.002
R930000752



Type	Material number
084430030220000	R930003428
08443003023500B	R930003429
084430030320000	R930003431
08443003033500A	R930003432

Type	Material number