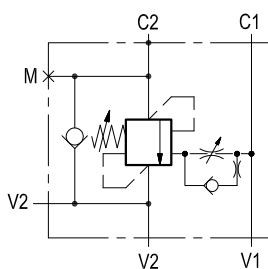
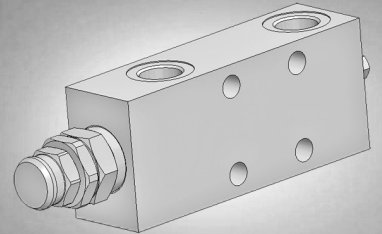


Single counterbalance

A-VBSO-SE-33-PL-FC1

08.45.87 - X - Y - Z



Description

When pressure at V2 rises above the spring bias pressure, the check seat is pushed away from the piston and flow is allowed from V2 to C2. When load pressure at C2 rises above the pressure setting, the direct operated relief function is activated and flow is relieved from C2 to V2. With pilot pressure at V1-C1, the pressure setting is reduced in proportion to the stated ratio of the valve, until opening and allowing flow from C2 to V2. The spring chamber is drained to V2, and any back-pressure at V2 is additive to the pressure setting in all functions. For safety and compactness, the C2 port is gasket mounted the actuator.

Note: port identified with M are not protected with calibrated orifice but in direct connection with pressure channels.

Technical data

Hydraulic

Max. operating pressure	bar (psi)	350 (5000)
Max. flow	l/min (gpm)	150 (40)

Relief setting: at least 1.3 times the highest expected load.

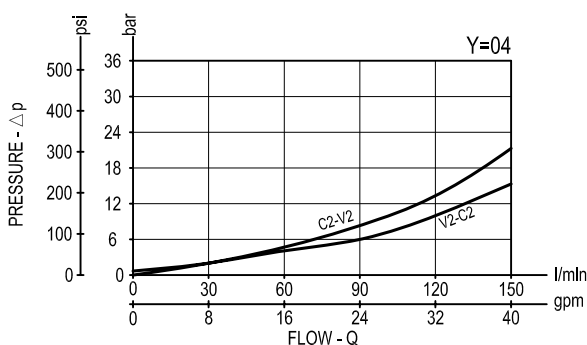
The pilot line includes adjustable hydraulic damping, for fine tuning of stability and response.

General

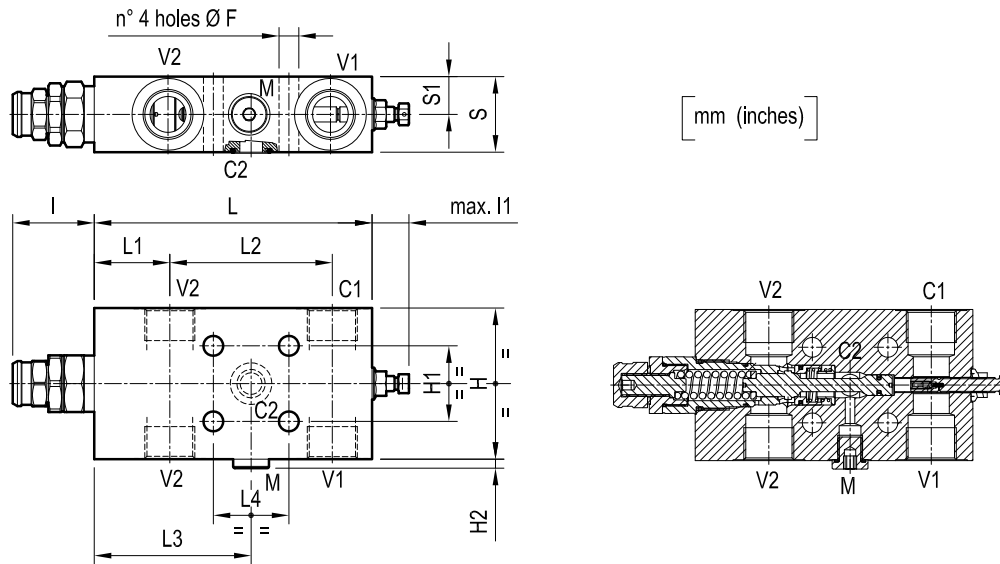
Manifold material	Steel
Weight	see "Dimensions"
Fluid temperature range	°C (°F) between -30 (-22) and +100 (212)
Other technical data	see data sheet RE 18350-50
MTTFd	150 years see RE 18350-51

Note: for applications outside these parameters, please consult us.

Performance



Dimensions



[mm (inches)]

20	39.5	40	82	86	39	147	18.5	43	5	40	80	10.5			G 3/4	3
(0.79)	(1.56)	(1.58)	(3.23)	(3.39)	(1.54)	(5.79)	(0.73)	(1.69)	(0.2)	(1.58)	(3.15)	(0.41)				(6.61)
20	39.5	40	82	83	39	141	17.3	43	5	40	60	10.5			G 1/2	2.3
(0.79)	(1.56)	(1.58)	(3.23)	(3.27)	(1.54)	(5.55)	(0.68)	(1.69)	(0.2)	(1.58)	(2.36)	(0.41)				(5.07)
S1	S	L4	L3	L2	L1	L	I1	I	H2	H1	H	F			Y	Weight kg (lbs)

Ordering code

08.45.87 | **X** | **Y** | **Z**

Single counterbalance

Pilot ratio

= 13 4:1

SPRINGS		
Adj. pressure range bar (psi)	Pres. increase bar/turn (psi/turn)	Std. setting Q=5 (l/min.) bar (psi)
= 35 100-350 (1450-5000)	110 (1595)	350 (5000)

Tamper resistant cap
code 11.04.30.001
R930005194



Port sizes	V1-V2-C1	C2	M
= 03	G 1/2	Ø 12 (0.47)	G 1/4
= 04	G 3/4	Ø 12 (0.47)	G 1/4

Type	Material number
08458713033500D	R930007234
08458713043500D	R930007153

Type	Material number