

Dual counterbalance with pressure reducer for brake release port

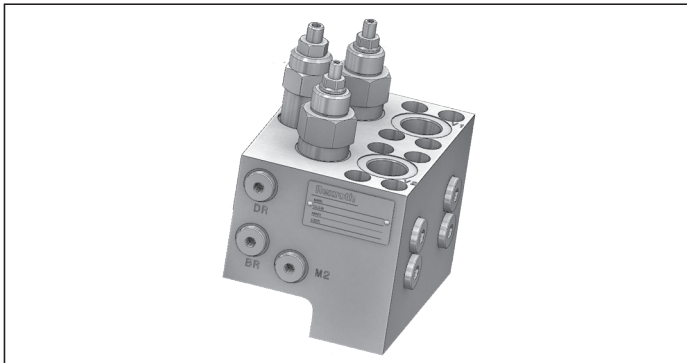
A-VBSN-DE-VF-12A-FM

08.46.35 - X - Y - Z

RE 18308-60

Edition: 03.2016

Replaces: 04.2010



Technical data

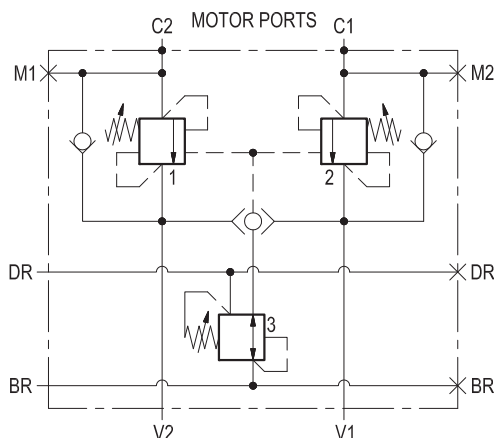
Max. operating pressure	350 bar (5000 psi)
Max. flow	120 l/min. (32 gpm)
Flangeable on REXROTH motors A2FE 45-56-63 series.	
Relief setting: at least 1.3 times the highest expected load.	
Weight	11 kg (24.3 lbs)
Manifold material	Zinc plated steel
Flange seal kit ¹⁾	E00000000000002 (R930004532)
Fluid	Mineral oil (HL, HLP) according DIN 51524
Fluid temperature range	-30 °C to 100 (-22 to 212 °F)
Viscosity range	10 to 500 mm ² /s (cSt)
Recommended degree of fluid contamination	Class 19/17/14 according to ISO 4406
Other technical data	see data sheet 18350-50

Note: for applications outside these parameters, please consult us.

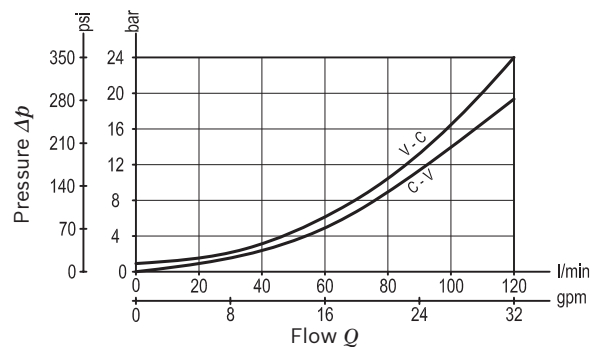
¹⁾ Seals for 5 valves

Description

It provides static and dynamic motion control by regulating flow and pressure IN and OUT of the hydraulic motor at ports C1 and C2. It includes 2 motion control sections (ref. 1 - 2), each one composed by a check and a relief valve pilot assisted by pressure in the opposite line: the check allows free flow into the motor, then locks and prevents reverse movement. With pilot pressure applied at the line across, the pressure setting of the relief is reduced in proportion to the stated ratio until opening and allowing controlled reverse motion. With motor turning and without pilot pressure, the relief function builds up back-pressure at the motor port in order to stop the motion. Back-pressure at V1 or V2 is additive to the pressure settings in all functions. A shuttle valve directs either V1 or V2 line pressure to reducer cartridge (3) and provides "low/constant" pressure for brake releasing through port BR. The DR port must be connected to a low pressure tank line.



Characteristic curve



Ordering code

08.46.35	X	Y	Z
-----------------	----------	----------	----------

Dual counterbalance with pressure reducer for brake release port

Pilot ratio

10 8:1

Port sizes	V1 - V2	C1 - C2	DR - BR M1 - M2
04	G 3/4	3/4 SAE 6000	G 1/4

SPRINGS			
	Adj. pressure range bar (psi)	Pres. increase bar/turn (psi/turn)	Std. setting Q=5 l/min. bar (psi)
40	Valve 1 100-420 (1450-6000)	100 (1450)	380 (5500)
	Valve 2 100-420 (1450-6000)	100 (1450)	380 (5500)
	Valve 3 10-50 (145-725)	7 (102)	50 (725)

Tamper resistant cap
code 11.04.23.002 Mat.no. R930000752 for Valve 1-2
code 11.04.23.004 Mat.no. R930001411 for Valve 3

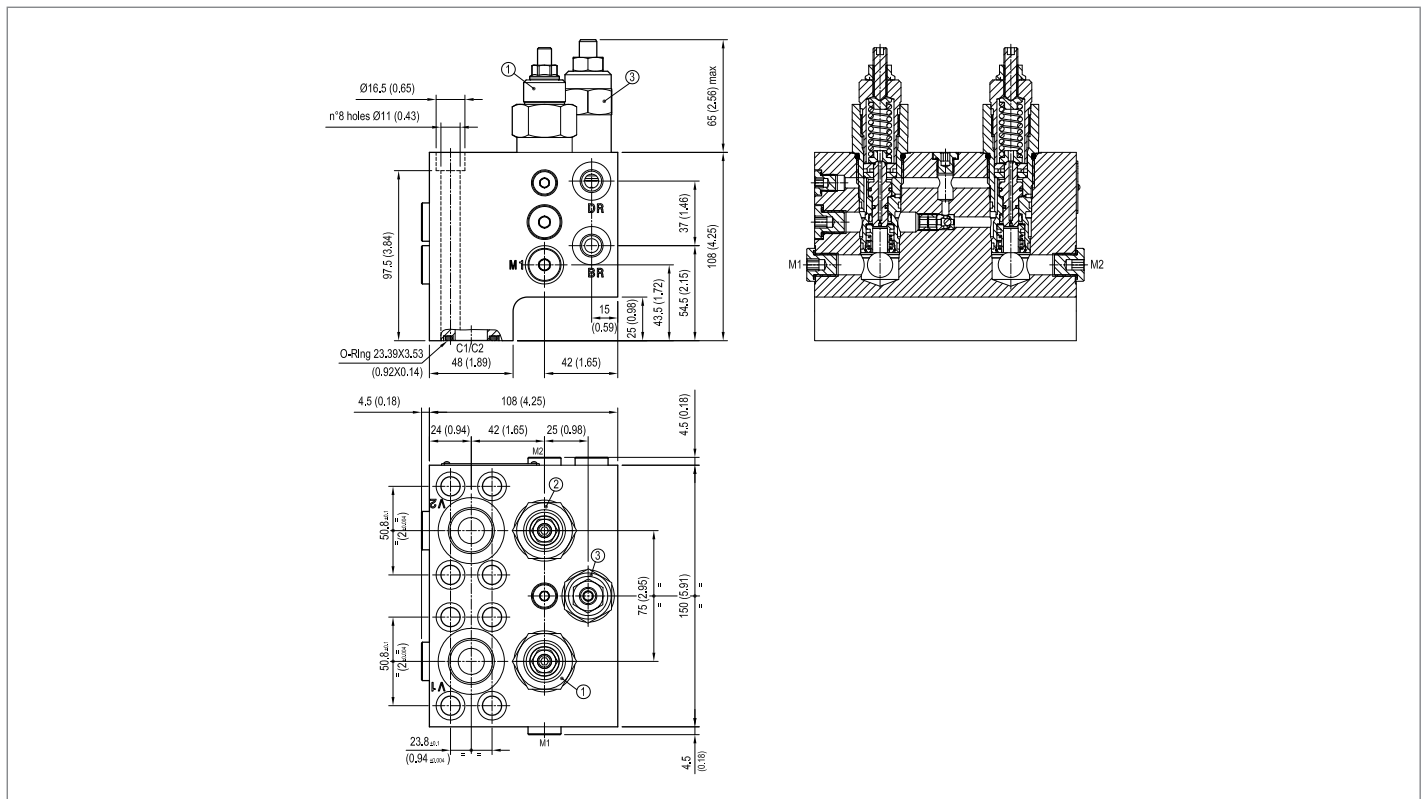


Preferred types

Type	Material number
08463510044000A	R930055382

Type	Material number

Dimensions



Bosch Rexroth Oil Control S.p.A.

Via Leonardo da Vinci 5
P.O. Box no. 5
41015 Nonantola - Modena, Italy
Tel. +39 059 887 611
Fax +39 059 547 848
compact-hydraulics-pib@boschrexroth.com
www.boschrexroth.com/compacthydraulics

© This document, as well as the data, specifications and other information set forth in it, are the exclusive property of Bosch Rexroth Oil Control S.p.a.. It may not be reproduced or given to third parties without its consent. The data specified above only serve to describe the product. No statements concerning a certain condition or suitability for a certain application can be derived from our information. The information given does not release the user from the obligation of own judgment and verification. It must be remembered that our products are subject to a natural process of wear and aging. Subject to change.