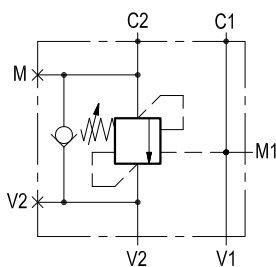
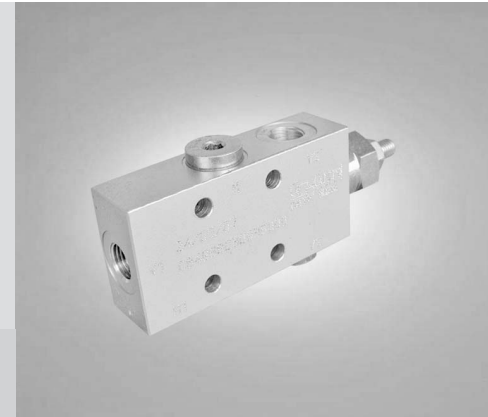


Single counterbalance

A-VBSO-SE-78-PL-FC2

08.49.68 - X - Y - Z

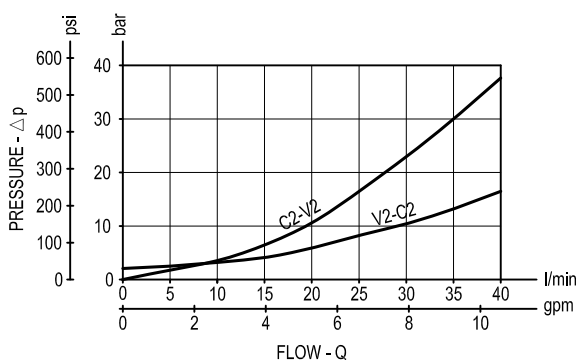


Description

When pressure at V2 rises above the spring bias pressure, the check seat is pushed away from the piston and flow is allowed from V2 to C2. When load pressure at C2 rises above the pressure setting, the direct operated relief function is activated and flow is relieved from C2 to V2. With pilot pressure at V1-C1, the pressure setting is reduced in proportion to the stated ratio of the valve, until opening and allowing flow from C2 to V2. The spring chamber is drained to V2, and back-pressure at V2 is additive to the pressure setting in all functions. For better safety and compact assembly, the C1 and C2 ports are gasket mounted directly on the actuator.

Note: port identified with M are not protected with calibrated orifice but in direct connection with pressure channels.

Performance



Technical data

Hydraulic

Max. operating pressure	bar (psi)	350 (5000)
Max. flow	l/min (gpm)	40 (11)

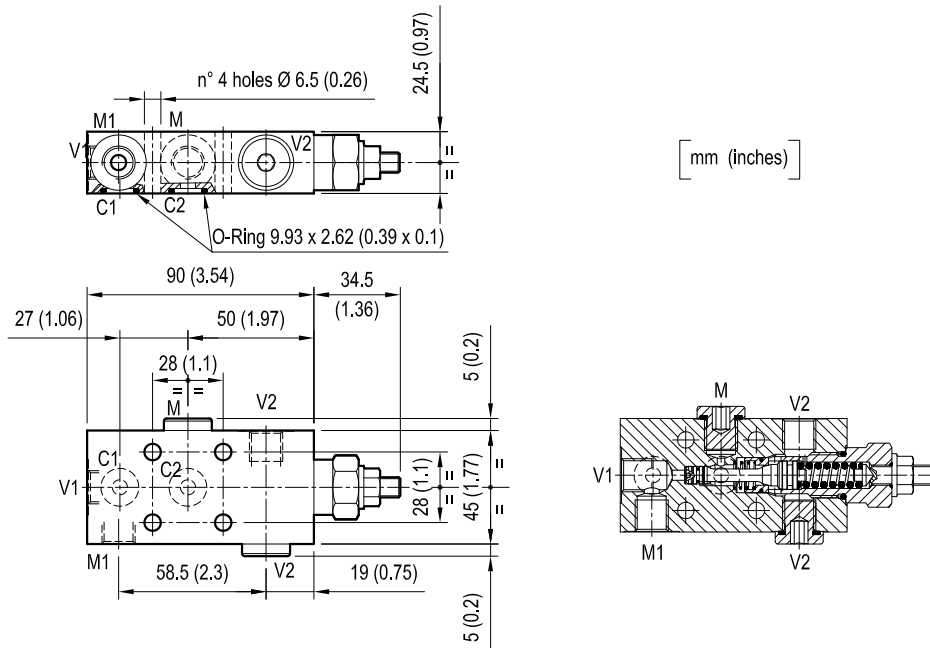
Relief setting: at least 1.3 times the highest expected.

General

Manifold material		Steel
Weight	kg (lbs)	0.8 (1.76)
Fluid temperature range	°C (°F)	between -30 (-22) and +100 (212)
Other technical data		see data sheet RE 18350-50

Note: for applications outside these parameters, please consult us.

Dimensions



Ordering code

08.49.68	X	Y	Z
-----------------	----------	----------	----------

Single counterbalance

Pilot ratio

= 03 4.1 : 1

Port sizes	V1 - V2	C1 - C2	M - M1
= 09	G 1/4	Ø 6 (0.24)	G 1/4

SPRINGS			
	Adj. pressure range bar (psi)	Pres. increase bar/turn (psi/turn)	Std. setting Q=5 (l/min.) bar (psi)
= 35	100-350 (1450-5000)	175 (2538)	350 (5000)

Tamper resistant cap code 11.04.23.002 R930000752



Type	Material number
084968030935000	R930003978

Type	Material number