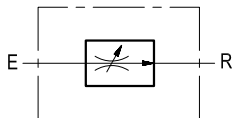


Flow regulator, 2-way, pressure compensated

VRFC2-L

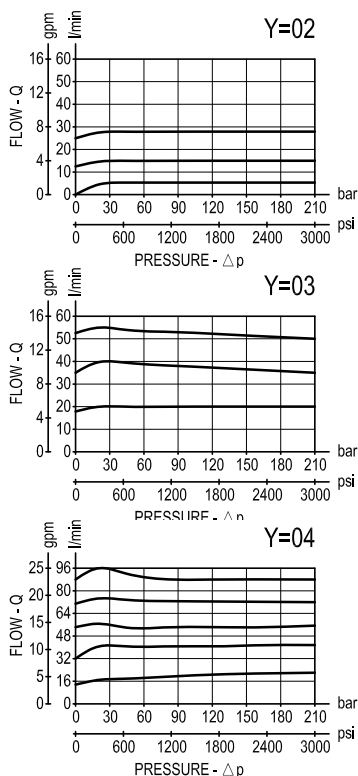
OM.22.03.50 - Y



Description

A constant flow rate, regardless of system pressures, is established from E to R, while a minimum pressure differential of approximately 5 bar (70 psi) exists between the two ports. Output flow can be varied from zero (Closed) to the nominal maximum rating (Open). Reverse flow from R to E is limited by the selected opening of the lever controlled restrictor and is not pressure compensated.

Performance



Technical data

Hydraulic

Operating pressure	bar (psi)	up to 210 (3000)
--------------------	-----------	------------------

Q = max inlet flow "E" port (see "Dimensions")

Flow control range: from 15° to 165° of hand lever rotation

General

Manifold material	Aluminium
-------------------	-----------

Note: aluminium bodies are often strong enough for operating pressures exceeding 210 bar (3000 psi), depending from the fatigue life expected in the specific application. If in doubt, consult our Service Network.

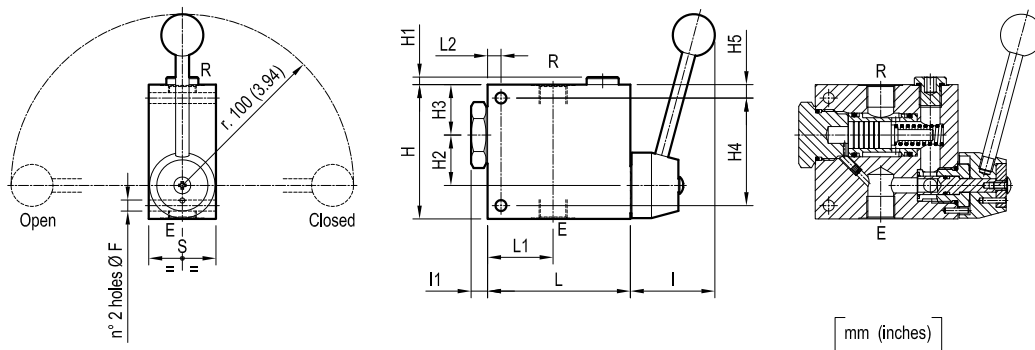
Weight	see "Dimensions"
--------	------------------

Fluid temperature range	°C (°F)	between -30 (-22) and +100 (212)
-------------------------	---------	----------------------------------

Other technical data	see data sheet RE 18350-50
----------------------	----------------------------

Note: for applications outside these parameters, please consult us.

Dimensions



[mm (inches)]

50 (1.97)	10 (0.39)	44 (1.73)	100 (3.94)	10 (0.39)	50 (1.97)	8 (0.32)	82 (3.23)	35 (1.38)	40 (1.58)	4.5 (0.18)	100 (3.94)	8.5 (0.34)	90 l/min 24 gpm	G 3/4	1.75 (3.86)
40 (1.58)	8 (0.32)	39 (1.54)	85 (3.35)	10 (0.39)	50 (1.97)	8 (0.32)	64 (2.52)	30 (1.18)	30 (1.18)	4.5 (0.18)	80 (3.15)	6.5 (0.26)	55 l/min 15 gpm	G 1/2	0.97 (2.14)
40 (1.58)	8 (0.32)	39 (1.54)	85 (3.35)	10 (0.39)	50 (1.97)	8 (0.32)	64 (2.52)	30 (1.18)	30 (1.18)	4.5 (0.18)	80 (3.15)	6.5 (0.26)	30 l/min 8 gpm	G 3/8	0.97 (2.14)
S	L2	L1	L	I1	I	H5	H4	H3	H2	H1	H	F	Q	Y	Weight kg (lbs)

Ordering code

OM.22.03 50 Y

Flow regulator,
2-way, pressure compensated

Adjustments

Lever with built in friction clutch

Port sizes	E - R
= 02	G 3/8
= 03	G 1/2
= 04	G 3/4

Type	Material number
OM2203500200000	R930004174
OM2203500300000	R930004175
OM2203500400000	R930004176

Type	Material number