

RE 18309-32/04.10

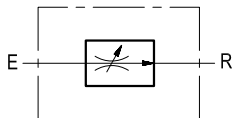
1/2

Replaces: RE 00171/02.07

Flow regulator, 2-way, pressure compensated

VRFC2

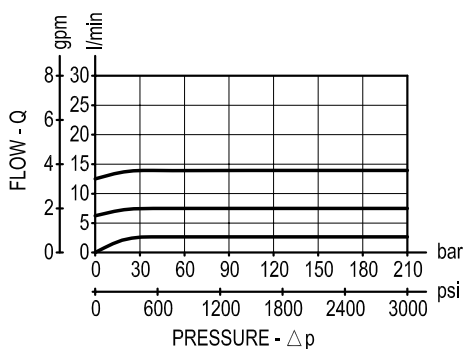
0M.22.03 - X - 97



Description

A constant flow rate, regardless of system pressures, is established from E to R, while a minimum pressure differential of approximately 5 bar (70 psi) exists between the two ports. Output flow can be varied from zero (closed) to the nominal maximum rating. Reverse flow from R to E is limited by the selected opening of the restrictor and is not pressure compensated.

Performance



Technical data

Hydraulic

Operating pressure	bar (psi)	up to 210 (3000)
--------------------	-----------	------------------

Q = max inlet flow "E" port	20 l/min (5 gpm)
-----------------------------	------------------

Flow range adjustment	: 0 - 3 turns
-----------------------	---------------

General

Manifold material	Aluminium
-------------------	-----------

Note: aluminium bodies are often strong enough for operating pressures exceeding 210 bar (3000 psi), depending from the fatigue life expected in the specific application. If in doubt, consult our Service Network.

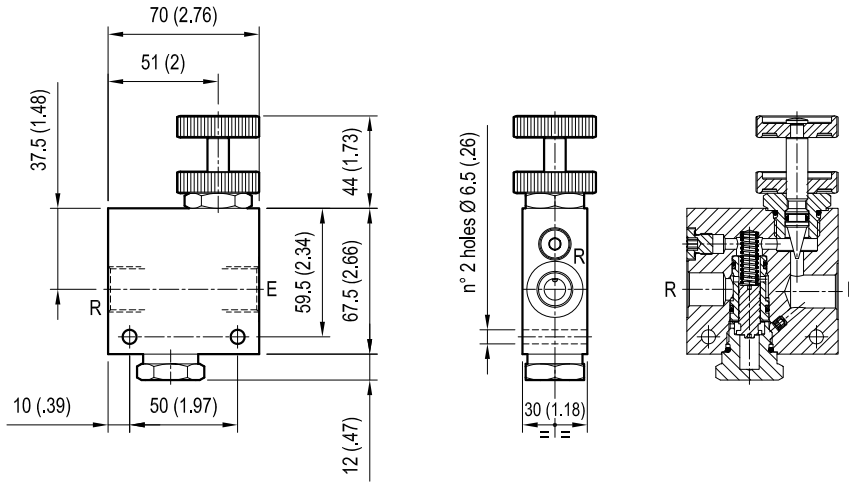
Weight	kg (lbs)	0.5 (1.1)
--------	----------	-----------

Fluid temperature range	°C (°F)	between -30 (-22) and +100 (212)
-------------------------	---------	----------------------------------

Other technical data	see data sheet RE 18350-50
----------------------	----------------------------

Note: for applications outside these parameters, please consult us.

Dimensions



[mm (inches)]

Ordering code

OM.22.03 X 97

Flow regulator,
2-way, pressure compensated

Adjustments

Port sizes	E - R
	G 3/8

= 70 Handknob and locknut



= 80 Screw and locknut



= 40 Graduated handknob



Type	Material number
OM220370970000A	R930004189
OM2203809700000	R930004195
OM2203409700000	R930000223

Type	Material number