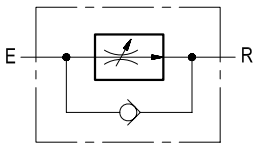


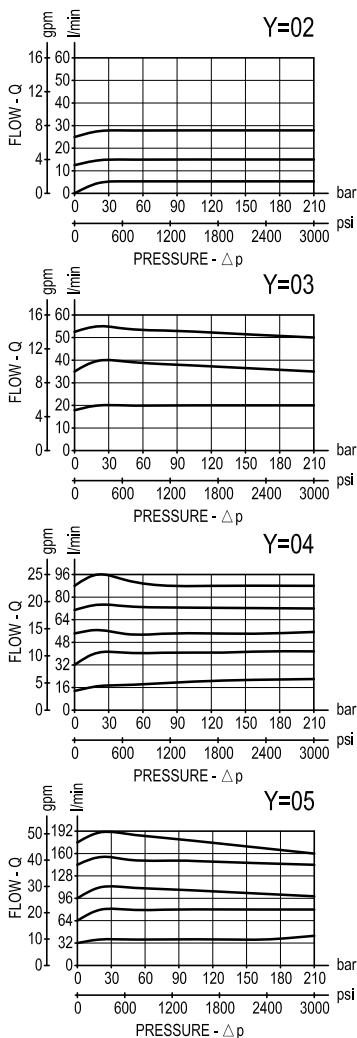
Flow regulator, 2-way, pressure compensated, with check valve for free reverse flow

VRFC2-VU

0M.24.03 - X - Y



Performance



Description

A constant flow rate, regardless of system pressures, is established from E to R, while a minimum pressure differential of approximately 5 bar (70 psi) exists between the two ports. Output flow can be varied from zero (closed) to the nominal maximum rating. Free flow is permitted from R to E, regardless of valve adjustment, when pressure overcomes the spring bias of the check valve.

Technical data

Hydraulic

Operating pressure bar (psi) up to 210 (3000)

Q = max inlet flow "E" port (see "Dimensions")

Flow range adjustment : 0 - 3 turns

General

Manifold material Aluminium

Note: aluminium bodies are often strong enough for operating pressures exceeding 210 bar (3000 psi), depending from the fatigue life expected in the specific application. If in doubt, consult our Service Network.

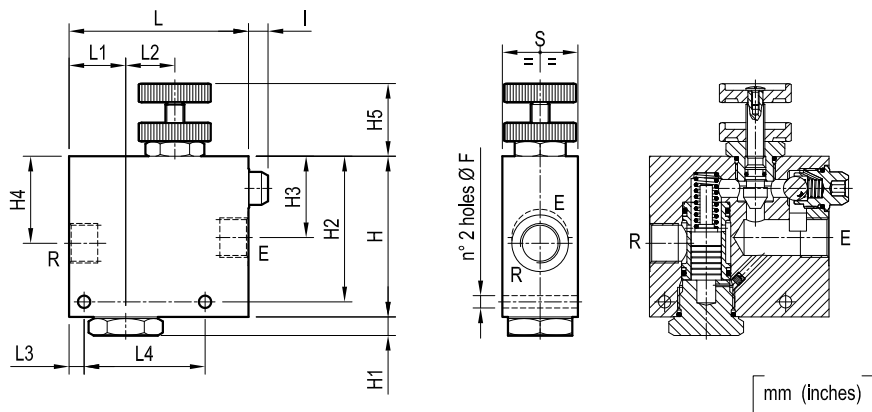
Weight see "Dimensions"

Fluid temperature range °C (°F) between -30 (-22) and +100 (212)

Other technical data see data sheet RE 18350-50

Note: for applications outside these parameters, please consult us.

Dimensions



50 (1.97)	82 (3.23)	8 (0.32)	40 (1.58)	40 (1.58)	145 (5.71)	13 (0.51)	40 (1.58)	64 (2.52)	66 (2.6)	100 (3.94)	10 (0.39)	110 (4.33)	8.5 (0.34)	190 l/min 50 gpm	G 1	3.1 (6.8)
50 (1.97)	82 (3.23)	8 (0.32)	40 (1.58)	35 (1.38)	130 (5.12)	13 (0.51)	40 (1.58)	56 (2.21)	54 (2.13)	90 (3.54)	10 (0.39)	100 (3.94)	8.5 (0.34)	90 l/min 24 gpm	G 3/4	2.1 (4.6)
40 (1.58)	64 (2.52)	8 (0.32)	26 (1.02)	30 (1.18)	95 (3.74)	10 (0.39)	40 (1.58)	46 (1.81)	42 (1.65)	77 (3.03)	10 (0.39)	85 (3.35)	6.5 (0.26)	55 l/min 15 gpm	G 1/2	1.04 (2.3)
40 (1.58)	64 (2.52)	8 (0.32)	26 (1.02)	30 (1.18)	95 (3.74)	10 (0.39)	40 (1.58)	46 (1.81)	41.5 (1.63)	77 (3.03)	10 (0.39)	85 (3.35)	6.5 (0.26)	30 l/min 8 gpm	G 3/8	1.04 (2.3)
S	L4	L3	L2	L1	L	I	H5	H4	H3	H2	H1	H	F	Q	Y	Weight kg (lbs)

Ordering code

OM.24.03 X Y

Flow regulator,
2-way, pressure compensated
check valve for free reverse flow

Adjustments

= 70 Handknob and locknut



= 80 Screw and locknut



= 40 Graduated handknob



Port sizes	E - R
= 02	G 3/8
= 03	G 1/2
= 04	G 3/4
= 05	G 1

Type	Material number
OM2403700200000	R930004201
OM2403700300000	R930004202
OM2403700400000	R930004203
OM2403700500000	R930004204
OM2403800200000	R930000267
OM2403800300000	R930004205
OM2403800400000	R930000221
OM2403800500000	R930000256

Type	Material number
OM2403400200000	R930004200
OM2403400300000	R930000524
OM2403400400000	R930000525
OM2403400500000	R930000274

Bosch Rexroth Oil Control S.p.A.
Via Leonardo da Vinci 5
P.O. Box no. 5
41015 Nonantola – Modena, Italy
Tel. +39 059 887 611
Fax +39 059 547 848
motion-control-valves@oilcontrol.com
www.boschrexroth.com

© This document, as well as the data, specifications and other information set forth in it, are the exclusive property of Bosch Rexroth Oil Control S.p.a.. It may not be reproduced or given to third parties without its consent.
The data specified above only serve to describe the product. No statements concerning a certain condition or suitability for a certain application can be derived from our information. The information given does not release the user from the obligation of own judgment and verification. It must be remembered that our products are subject to a natural process of wear and aging.
Subject to change.