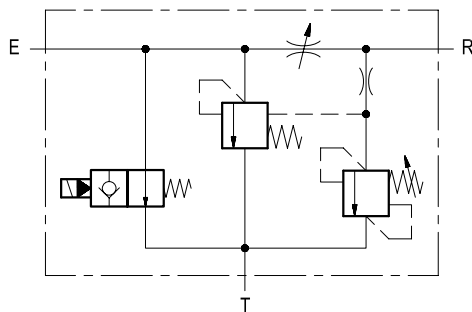


Flow regulator, 3-way, pressure compensated, with relief and solenoid by-pass

VRFC3-VS-BPE

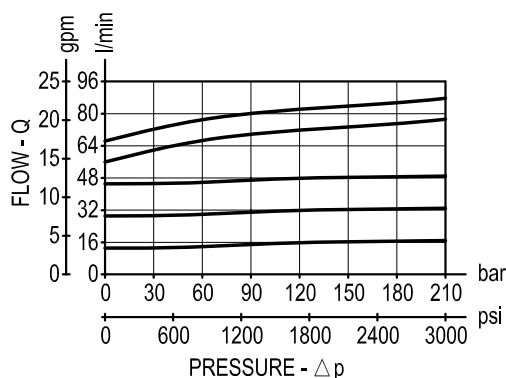
OM.38.03 - X - 04



Description

A constant pressure compensated flow rate is established from E to R, while a minimum pressure differential of appr. 5 bar (70 psi) exists between the two ports. Input flow supplied to E in excess of the regulated output at R is by-passed to T. Regulated flow can be varied from closed to the nominal maximum rating of the valve and its pressure is controlled by a relief cartridge which will dump to Tank the output flow if the maximum pressure is reached. A normally open solenoid cartridge by-passes all Inlet flow to tank when de-energized. Reverse flow from R to E is limited by the selected opening of the restrictor and is not pressure compensated. Flow from T to R is not permitted.

Performance



Technical data

Hydraulic

Operating pressure	bar (psi)	up to 210 (3000)
Adj. relief valve: range		35-210 bar (500-3000 psi)
Standard setting:		210 bar (3000 psi)
QE = max inlet flow "E" port		150 l/min (40 gpm)
QR = max regulated flow "R" port		90 l/min (24 gpm)
Flow range adjustment		: 0 - 3 turns

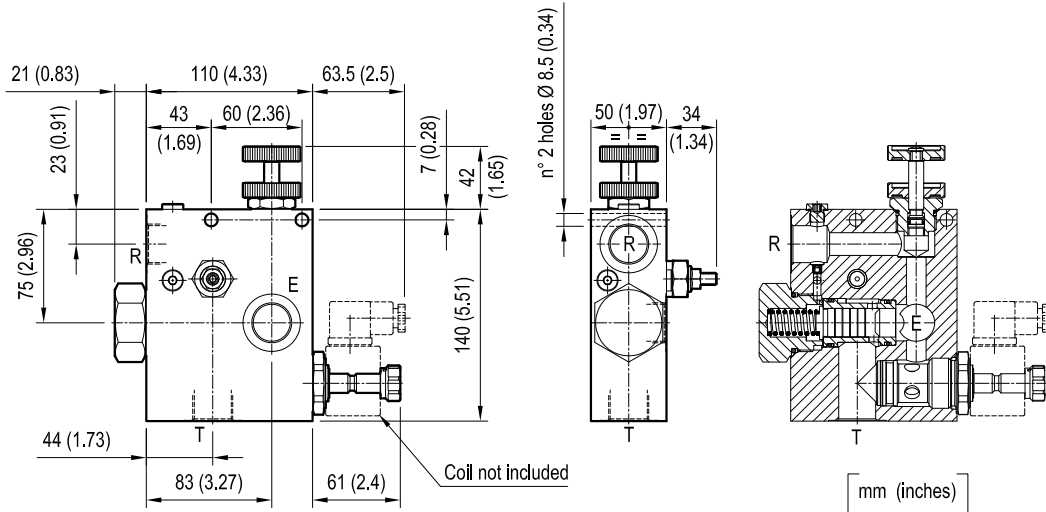
The coil must be ordered separately

General

Manifold material		Aluminium
Note:	aluminium bodies are often strong enough for operating pressures exceeding 210 bar (3000 psi), depending from the fatigue life expected in the specific application. If in doubt, consult our Service Network.	
Weight	kg (lbs)	2.30 (5.1)
Viscosity		20 to 380 mm ² /s (cSt)
Fluid temperature range	°C (°F)	between -20 (-4) and +80 (176)
Other technical data		see data sheet RE 18350-50

Note: for applications outside these parameters, please consult us.

Dimensions



Ordering code

OM.38.03 X 04

Flow regulator,
3-way, pressure compensated,
with relief and solenoid by-pass

Adjustments

Port sizes	E - R - T
	G 3/4

= 70 Handknob and locknut



= 80 Screw and locknut



= 40 Graduated handknob



Type	Material number
OM380370040000A	R930004289
OM3803800400000	R930000469
OM380340040000B	R930004285

Type	Material number