

Flow regulator

3 way, pressure compensated with relief and solenoid by-pass

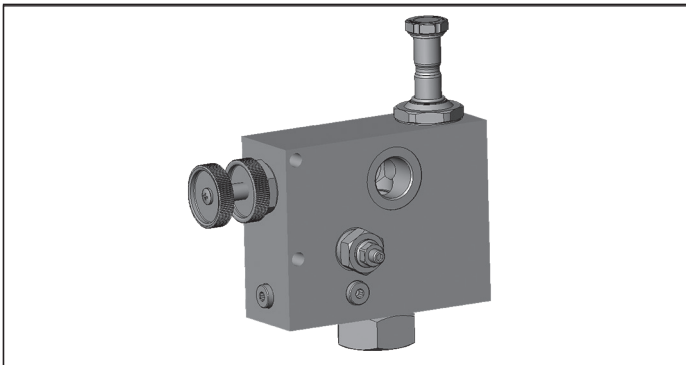
VRFC3-VS-BPE

0M.38.03 - X - 04

RE 18309-49

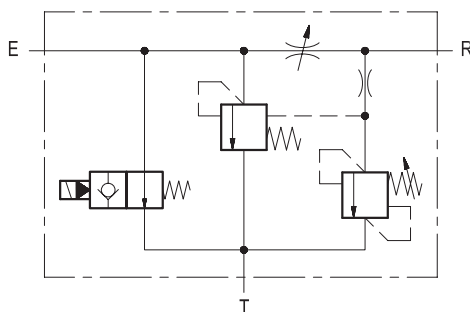
Edition: 03.2018

Replaces: 03.2016



Description

A constant pressure compensated flow rate is established from E to R, while a minimum pressure differential of appr. 5 bar (70 psi) exists between the two ports. Input flow supplied to E in excess of the regulated output at R is by-passed to T. Regulated flow can be varied from closed to the nominal maximum rating of the valve and its pressure is controlled by a relief cartridge which will dump to Tank the output flow if the maximum pressure is reached. A normally open solenoid cartridge by-passes all Inlet flow to tank when de-energized. Reverse flow from R to E is limited by the selected opening of the restrictor and is not pressure compensated. Flow from T to R is not permitted.

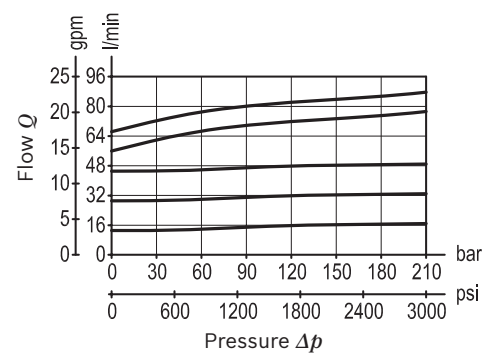


Technical data

Operating pressure	up to 210 bar (3000 psi)
Adj. relief valve: range	105-210 bar (1523-3000 psi)
Standard setting:	210 bar (3000 psi)
QE= max. inlet flow "E" port	150 l/min. (40 gpm)
QR= max. regulated flow "R" port	90 l/min. (24 gpm)
Flow range adjustment	0 - 3 turns
Weight	2.3 kg (5.1 lbs)
Manifold material	Aluminium
Note: aluminium bodies are often strong enough for operating pressures exceeding 210 bar (3000 psi), depending from the fatigue life expected in the specific application. If in doubt, consult our Service Network.	
Fluid	Mineral oil (HL, HLP) according to DIN 51524
Fluid temperature range	-20 °C to 80 (-4 to 176 °F)
Viscosity range	20 to 380 mm ² /s (cSt)
Recommended degree of fluid contamination	Class 19/17/14 according to ISO 4406
The coil must be ordered separately	
Other technical data	see data sheet 18350-50

Note: for applications outside these parameters, please consult us.

Characteristic curve



Ordering code

0M.38.03	X	04
-----------------	----------	-----------

Flow regulator
3 way, pressure compensated
with relief and solenoid by-pass

Adjustments

70 Handknob and locknut



80 Screw and locknut



40 Graduated handknob



Port sizes

E - R - T

G 3/4

Tamper resistant cap code
ordering code 11.04.23.002

Mat. no. R930000752

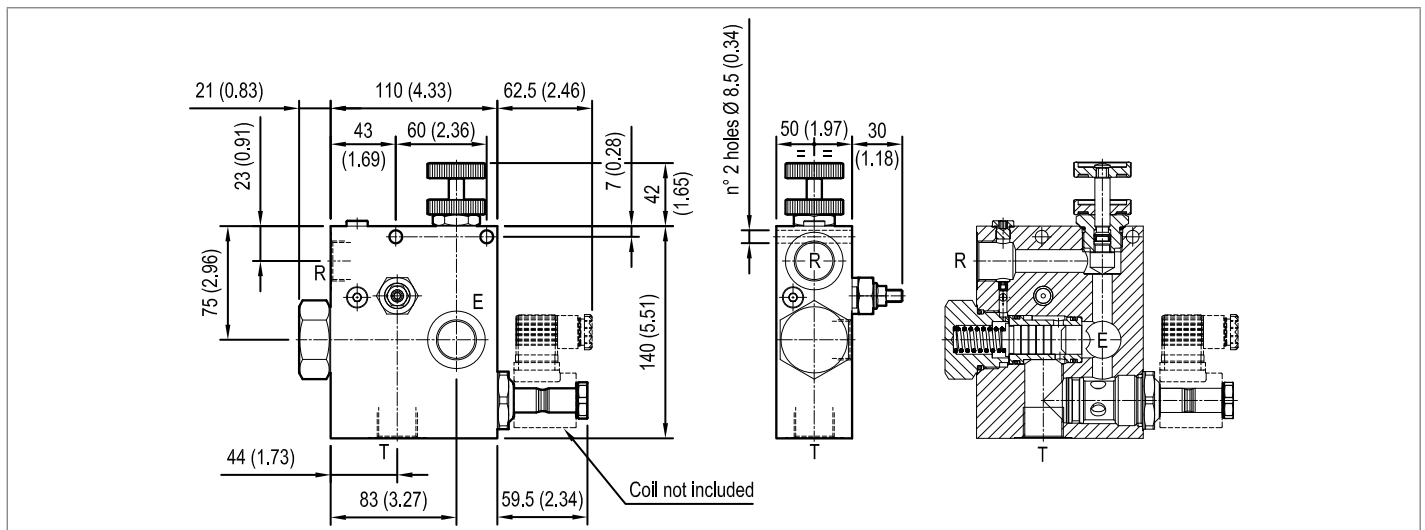


Preferred types

Type	Material number
0M380370040000B	R930067628
0M380380040000A	R930069291
0M380340040000C	R930069292

Type	Material number

Dimensions



Bosch Rexroth Oil Control S.p.A.

Via Leonardo da Vinci 5
P.O. Box no. 5
41015 Nonantola – Modena, Italy
Tel. +39 059 887 611
Fax +39 059 547 848
compact-hydraulics-pib@boschrexroth.com
www.boschrexroth.com/compacthydraulics

© This document, as well as the data, specifications and other information set forth in it, are the exclusive property of Bosch Rexroth Oil Control S.p.a.. It may not be reproduced or given to third parties without its consent. The data specified above only serve to describe the product. No statements concerning a certain condition or suitability for a certain application can be derived from our information. The information given does not release the user from the obligation of own judgment and verification. It must be remembered that our products are subject to a natural process of wear and aging. Subject to change.