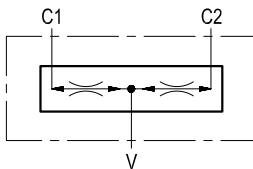


Flow divider, combiner

A-DRF

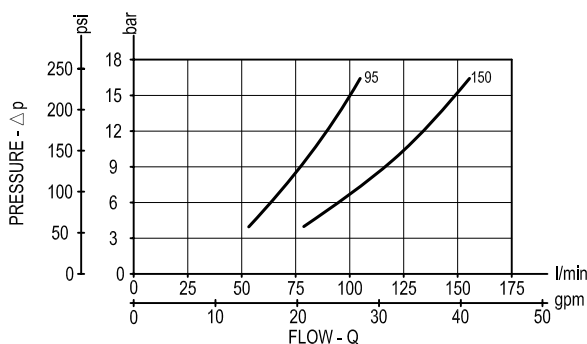
0M.E1.03.90.05 - Z



Description

This valve gives division of input flow from V to C1-C2, and re-combines flows in reverse direction from C1-C2 to V. The ratio between the flows through C1 and through C2 is maintained constant (typically 50% / 50%) over a wide range of pressure variations and of pressure imbalance in order to synchronize the motion of 2 actuators in both forward and reverse directions. In flow division mode, should either C1 or C2 be blocked, approximately 1±2% of the available flow can be forced through the port still open.

Performance



Technical data

Hydraulic

Max. operating pressure	bar (psi)	350 (5000)
-------------------------	-----------	------------

Flow division ratio: 50% - 50%

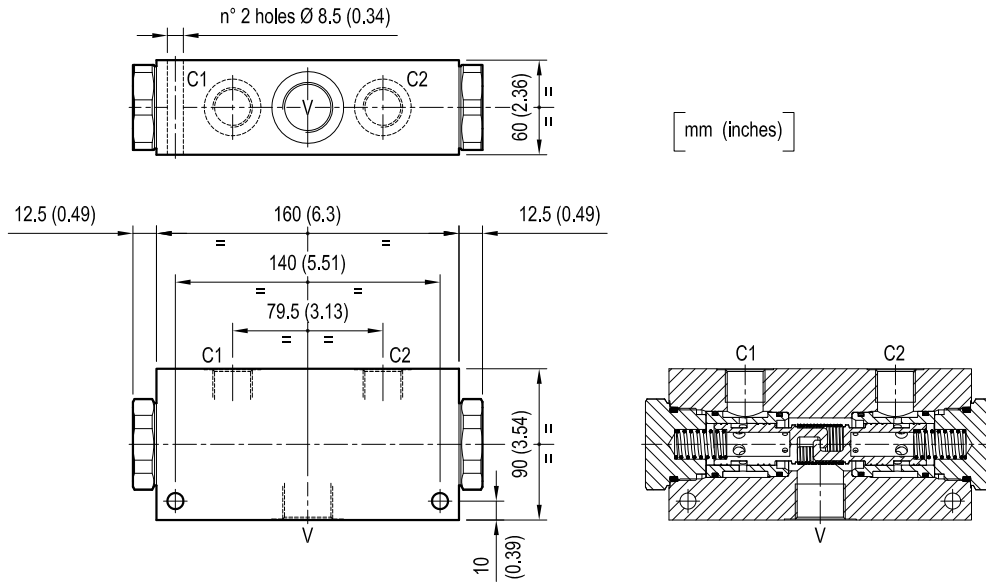
For any chosen inlet flow capacity (refer to table Z), the slippage, or the difference from theoretical value between the divided flows, depends from the inlet flow, and is lowest in the top portion of the selected range: generally it never exceeds ± 3%.

General

Manifold material		Steel
Weight	kg (lbs)	6.1 (13.3)
Fluid temperature range	°C (°F)	between -30 (-22) and +100 (212)
Other technical data		see data sheet RE 18350-50

Note: for applications outside these parameters, please consult us.

Dimensions



Ordering code

OM.E1.03.90	05	Z
--------------------	-----------	----------

Flow divider, combiner

Port sizes	V	C1 - C2
	G 1	G 3/4

INLET CAPACITY	
= 95	56 to 95 l/min (14.8 to 25.1 gpm)
= 150	90 to 150 l/min (27.78 to 39.63 gpm)

Type	Material number
OME10390059500A	R930001903
OME10390051500A	R930005819

Type	Material number