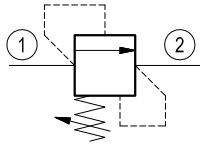
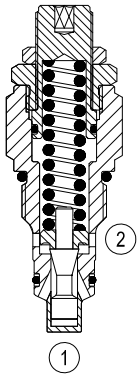


Relief, direct acting guided poppet type

Common cavity, Size 10

VMD1.070

OT.M1.04 - X - 99 - Z



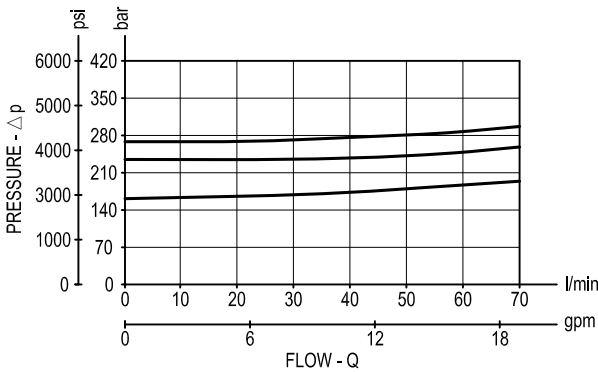
Description

Flow is blocked from 1 to 2 until pressure increases to meet the selected valve setting, lifting the poppet from its seat and allowing relief flow through port 2 to tank. Pressure at port 2 is additive to the relief setting of the valve. The unique Bosch Rexroth Oil Control poppet design provides enhanced stability at all flows and pressures.

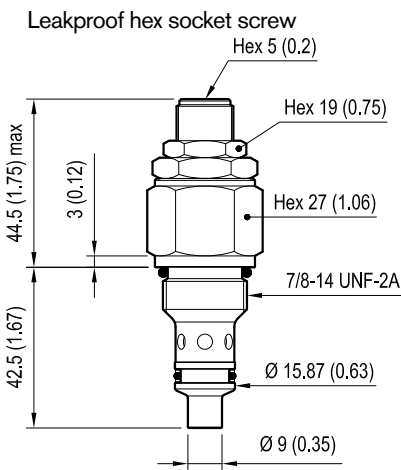
Technical data

Max pressure	bar (psi)	260 (3800)
Max flow	l/min (gpm)	70 (19)
Installation torque	Nm (ft-lb)	55-65 (41-48)
Cavity		CA-10A-2N
Weight	kg (lbs)	0.18 (0.4)
Fluid temperature range	°C (°F)	between -30 (-22) and +100 (212)

Performance



Dimensions



Ordering code

OT.M1.04 X 99 Z

Relief, direct acting guided poppet type

Adjustments

= 03 Leakproof hex. socket screw

Common cavity Size 10

SPRINGS

	Adj. press. range bar (psi)	Press. increase bar/turn (psi/turn)	Std. setting press. bar (psi) (Q=5 l/min)
= 05	10-60 (145-870)	10 (145)	50 (725)
= 10	40-110 (580-1600)	17 (247)	100 (1450)
= 20	110-220 (1600-3200)	31.5 (457)	200 (2900)
= 35	220-260 (3200-3800)	37 (537)	250 (3600)

mm (Inches)

Type	Material number
OTM104039905000	R901099575
OTM104039910000	R901099604
OTM104039920000	R901116269

Type	Material number
OTM104039935000	R901099642