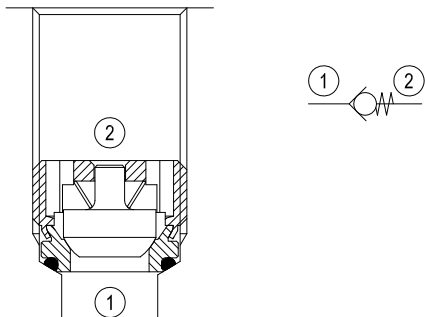


Insert type Check, poppet type



VUH1

0T.U5.01.00 - Y - Z

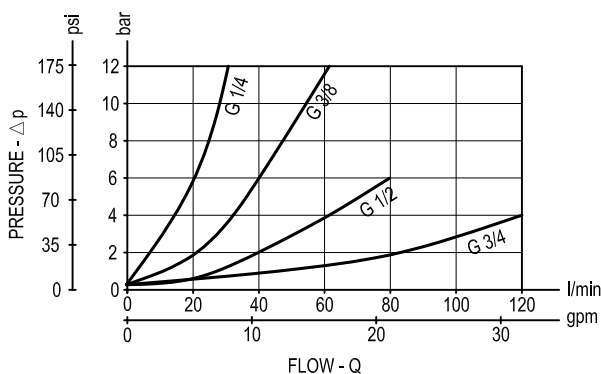


Description

When pressure at 1 rises above the spring bias pressure, the poppet is lifted and flow allowed from 1 to 2. The valve is closed (checked) from 2 to 1. Precision machining and hardening processes allow virtually leak-free performance in the checked condition.

Note: UNF and Metric versions available on request. Consult factory.

Performance

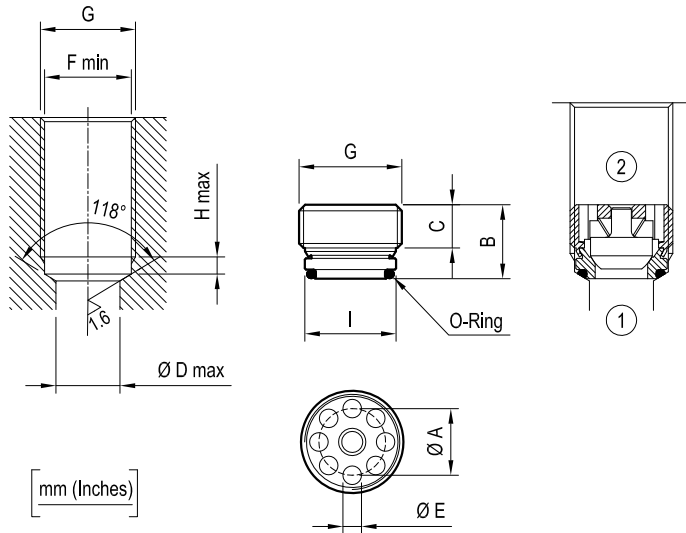


Technical data

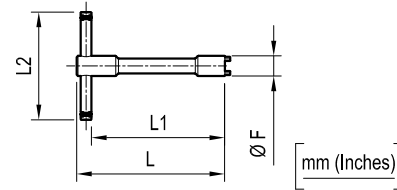
Max. operating pressure	bar (psi)	350 (5000)
Max. flow	l/min. (gpm)	see "performance" graph
Max. internal leakage	drops/min.	5
Fluid temperature range	°C (°F)	-30 to 100 (-22 to 212)
Installation torque	Nm (ft-lbs)	see "Dimensions" table
Weight	kg (lbs)	see "Dimensions" table
Special cavity		see "Dimensions"
MTTFD		150 years see data sheet 18350-51
Lines bodies and standard assemblies		Please refer to section "Hydraulic integrated circuit" or consult factory
Seal kit (*)	code material no.	see "Dimensions" table
Fluids		Mineral-based or synthetics with lubricating properties at viscosities of 5 to 800 mm ² /s (cSt)
Recommended degree of fluid contamination		Nominal value max. 10µm (NAS 8) ISO 4406 20/18/15
Other Technical Data		See data sheet RE 18350-50

(*) Only external seals for 10 valves

Dimensions



Fitting tool dimensions



Type	F	L	L1	L2	Tool code	Material number
VUH1.G14	11.3 (0.45)	120 (4.72)	110 (4.33)	60 (2.36)	AVA17	R931002552
VUH1.G38	14.9 (0.59)	120 (4.72)	108 (4.25)	80 (3.15)	AVA17-01	R931002553
VUH1.G12	18.6 (0.73)	120 (4.72)	108 (4.25)	80 (3.15)	AVA17-02	R931002554
VUH1.G34	24 (0.94)	120 (4.72)	108 (4.25)	80 (3.15)	AVA17-06	R930076454

G *	A	B	C	D	E	F	O-Ring dimensions	Seal kit	H	I	Weight kg (lbs)	Inst. torque Nm (ft-lbs)	Flow max. l/min. (gpm)
G 1/4	8.5 (0.34)	8.8 (0.35)	4.2 (0.17)	7 (0.28)	2.2 (0.09)	11.6 (0.46)	Ø 8.1x1.6 (0.32x0.06)	RG09UH010000100 R931002413	3 (0.12)	11.3 (0.45)	0.005 (0.011)	15 (11)	20 (5)
G 3/8	10.8 (0.43)	12 (0.47)	7 (0.28)	9 (0.35)	3 (0.12)	15.1 (0.6)	Ø 11x1.5 (0.43x0.06)	RG02UH010000100 R931002411	3 (0.12)	14.8 (0.58)	0.015 (0.033)	20 (15)	50 (13)
G 1/2	14.2 (0.56)	14.7 (0.58)	8 (0.32)	12 (0.47)	3.8 (0.15)	18.8 (0.74)	Ø 14x1.5 (0.55x0.06)	RG03UH010000100 R931002412	4.5 (0.18)	18.6 (0.73)	0.015 (0.033)	30 (22)	80 (21)
G 3/4	16.5 (0.65)	14.7 (0.58)	7.2 (0.28)	18 (0.71)	5 (0.2)	24.5 (0.96)	Ø 18.7x1.78 (0.74x0.07)	RG04UH010000100 R930076457	4.5 (0.18)	23.9 (0.94)	0.036 (0.079)	50 (37)	120 (32)

* Thread in accordance with ISO 228-1

Ordering code

OT.U5.01.00	Y	Z	*
-------------	---	---	---

Insert type - Check, poppet type

Series 0/A to L
unchanged performances and dimensions

Port sizes

= 09 G 1/4

= 02 G 3/8

= 03 G 1/2

= 04 G 3/4

SPRINGS

Cracking pressure bar (psi)

= 00

< 0.5 (7)

Type	Material number
OTU501000200000	R901064101
OTU501000300000	R901087794
OTU501000900000	R900764338
OTU501000400000	R930074994

Type	Material number

Bosch Rexroth Oil Control S.p.A.
Via Leonardo da Vinci 5
P.O. Box no. 5
41015 Nonantola – Modena, Italy
Tel. +39 059 887 611
Fax +39 059 547 848

compact-hydraulics-cv@boschrexroth.com
www.boschrexroth.com/compacthydraulics

© This document, as well as the data, specifications and other information set forth in it, are the exclusive property of Bosch Rexroth Oil Control S.p.a.. It may not be reproduced or given to third parties without its consent.

The data specified above only serve to describe the product. No statements concerning a certain condition or suitability for a certain application can be derived from our information. The information given does not release the user from the obligation of own judgment and verification. It must be remembered that our products are subject to a natural process of wear and aging.
Subject to change.