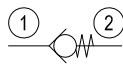
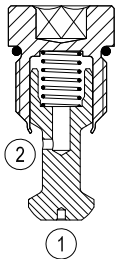


## Insert type Check, poppet type

Special cavity, 808

VUM1.060

OT.U6.02.00.99 - Z

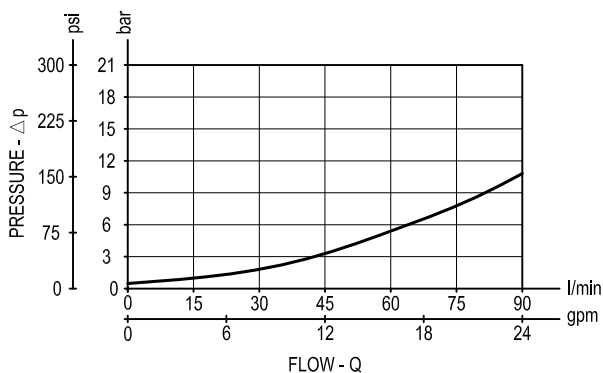


### Description

When pressure at 1 rises above the spring bias pressure, the poppet is lifted and flow allowed from 1 to 2. The valve is closed (checked) from 2 to 1. Precision machining and hardening processes allow virtually leak-free performance in the checked condition.

**Note:** to obtain a good leak proof performance coin the cavity seat using a loose valve poppet (P/N 0F.S2.014) as a coining tool.  
 Impact energy:  $5 \pm 2$  Nm.

### Performance

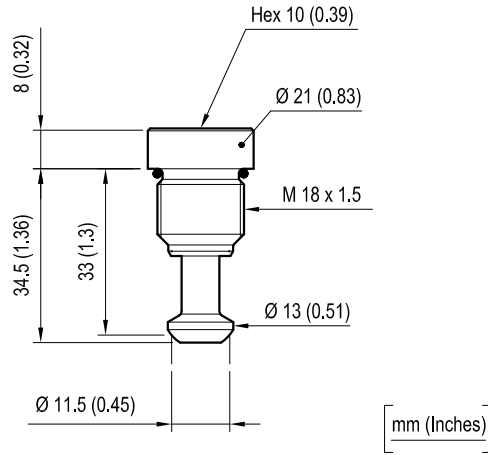


### Technical data

Max. operating pressure	bar (psi)	380 (5500)
Max. flow	l/min. (gpm)	90 (24)
Max. internal leakage	drops/min.	5
Fluid temperature range	°C (°F)	-30 to 100 (-22 to 212)
Installation torque	Nm (ft-lbs)	35-40 (26-30)
Weight	kg (lbs)	0.06 (0.13)
Special cavity		808
Seal kit (*)	code material no.	RG0730020000100 R931002406
Fluids		Mineral-based or synthetics with lubricating properties at viscosities of 5 to 800 mm <sup>2</sup> /s (cSt)
Filtration		Nominal value max. 10µm (NAS 8) ISO 4406 19/17/14
Installation		No restrictions
Other Technical Data		See data sheet RE 18350-50

(\*) Only external seals for 10 valves

### Dimensions



### Ordering code

0T.U6.02.00.99	Z	*
----------------	---	---

Insert type - Check, poppet type

Series O/A to L  
unchanged performances and dimensions

Special cavity, 808

SPRINGS	
Cracking pressure bar (psi)	
= 00	0.5 (7)

Type	Material number
OTU602009900000	R931002323

Type	Material number