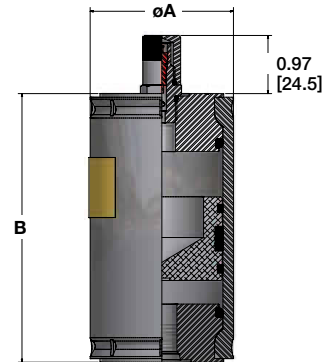
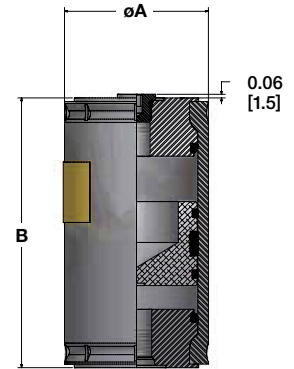


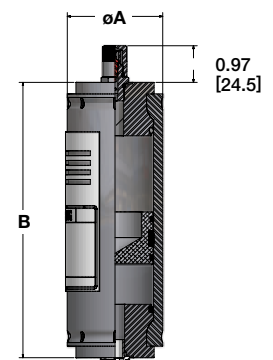
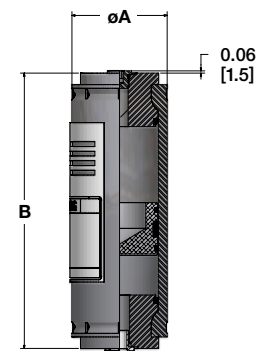
ACP Series Accumulator Dimensions

Crimped Piston Accumulator – 260 BAR [3,770 PSI] & 275 BAR [4,000 PSI]					
Model Number	Gas Volume		Diameter	Estimated Length	Estimated Dry Weight
	Liters	Cu. In.	øA In [mm]	B In [mm]	LBS [Kg]
40mm BORE					
ACP04AA002R1KTB	0.02	1.2	1.74 [44.1]	3.02 [76.6]	1.28 [0.6]
ACP04AA008R1KTB	0.08	4.9		5.08 [129.2]	1.63 [0.7]
ACP04AA016R1KTB	0.16	9.8		7.84 [199.2]	2.10 [1.0]
ACP04AA032R1KTB	0.32	19.5		13.36 [339.3]	3.05 [1.4]
50mm BORE					
ACP05AA008E1KTC	0.08	4.9	2.38 [60.3]	4.47 [113.5]	3.41 [1.5]
ACP05AA016E1KTC	0.16	9.8		5.98 [151.9]	3.93 [1.8]
ACP05AA032E1KTC	0.32	19.5		9.01 [228.9]	4.97 [2.3]
ACP05AA050E1KTC	0.50	30.5		12.43 [315.7]	6.14 [2.8]
ACP05AA075E1KTC	0.75	45.8		17.16 [435.9]	7.75 [3.5]
ACP05AA100E1KTC	0.95	58.0		20.95 [532.1]	9.05 [4.1]
80mm BORE					
ACP08AA032E1KTI	0.32	19.5	3.56 [90.4]	6.73 [171.0]	11.07 [5.0]
ACP08AA050E1KTI	0.50	30.5		8.29 [210.5]	12.34 [5.6]
ACP08AA075E1KTI	0.75	45.8		10.45 [265.4]	14.10 [6.4]
ACP08AA100E1KTI	0.95	58.0		12.18 [309.3]	15.51 [7.0]
ACP08AA150E1KTI	1.50	91.5		16.93 [430.0]	19.38 [8.8]
ACP08AA200E1KTI	2.00	122.1		21.25 [539.7]	22.90 [10.4]
ACP08AA300E1KTI	3.00	183.1		29.89 [759.2]	29.95 [13.6]
100mm BORE					
ACP10AA075E1KTD	0.75	45.8	4.76 [120.9]	8.47 [215.2]	24.19 [11.0]
ACP10AA100E1KTD	0.95	58.0		9.43 [239.5]	25.55 [11.6]
ACP10AA150E1KTD	1.50	91.5		12.06 [306.4]	29.29 [13.3]
ACP10AA200E1KTD	2.00	122.1		14.46 [367.2]	32.67 [14.8]
ACP10AA300E1KTD	3.00	183.1		19.24 [488.7]	39.46 [17.9]
ACP10AA400E1KTD	4.00	244.1		24.03 [310.3]	46.25 [21.0]
ACP10AA600E1KTD	6.00	366.1		33.60 [853.4]	59.83 [27.2]
ACP10AA800E1KTD	8.00	488.2		43.17 [1096.6]	73.41 [33.3]

3,770 & 4,000 PSI



5,000 PSI



Crimped Piston Accumulator – 345 BAR [5,000 PSI]					
Model Number	Gas Volume		Diameter	Estimated Length	Estimated Dry Weight
	Liters	Cu. In.	øA In [mm]	B In [mm]	LBS [Kg]
50mm BORE					
ACP05AA008C1KTC	0.08	4.9	2.50 [63.5]	5.71 [145.1]	5.11 [2.3]
ACP05AA016C1KTC	0.16	9.8		7.23 [183.6]	5.83 [2.6]
ACP05AA032C1KTC	0.32	19.5		10.26 [260.6]	7.28 [3.3]
ACP05AA050C1KTC	0.50	30.5		13.67 [347.3]	8.91 [4.0]
ACP05AA075C1KTC	0.75	45.8		18.41 [467.6]	11.11 [5.0]
ACP05AA100C1KTC	0.95	58.0		22.20 [563.8]	12.98 [5.9]

How To Order ACP Series Piston Accumulators

Piston accumulators can be specified by using the symbols in the chart below to develop a model number. Select only those symbols that represent the features desired, and place them in the sequence indicated by the example at the top of the chart.

AC Series	Piston Type	Model	Type of Construction	Options	Capacity	Working Pressure	Design Number	Seal Compound	Port Size
AC	P	05	A	A	075	E	1	K	TC

Piston Type

- P** Piston Accumulator
- G** Gas Bottle/Attenuator

Model

- 04** 40mm (1.5") Bore
- 05** 50mm (2") Bore
- 08** 80mm (3") Bore
- 10** 100mm (4") Bore

Type of Construction

- A** Standard
- E** European

Options

- A** Gas Valve (Standard)
- D** No Gas Valve

Model/Capacity

Model	Capacity (liter)	Capacity (cu. in.)
008	0.08	5
016 04	0.16	10
032	0.32	20
016	0.16	10
032	0.32	20
050 05	0.50	31
075	0.75	46
100	0.95	58
032	0.32	20
050	0.50	31
075	0.75	46
100 08	0.95	58
150	1.50	92
200	2.00	122
300	3.00	183
075	0.75	46
100	0.95	58
150	1.50	92
200 10	2.00	122
300	3.00	183
400	4.00	244
600	6.00	366
800	8.00	488

Design Number

- 1** Standard

Working Pressure

- E** 275 Bar (4000 PSI)
- R** 260 Bar (3770 PSI) 40mm only
- C** 345 Bar (5000 PSI) 50mm only

Seal Compounds

- K** Nitrile (Std)
- H** Hydrogenated Nitrile
- E** Fluoroelastomer
- S** Special

Ports (see Availability Table)

- TB** Female SAE #6
- TC** Female SAE #8
- TI** Female SAE #10
- TD** Female SAE #12
- TE** Female SAE #16
- AD** Male SAE #12
- RA** Female BSPP 3/8-19
- RB** Female BSPP 1/2-14
- RC** Female BSPP 3/4-14
- RD** Female BSPP 1-11
- LC** Male BSPP 3/4-14

Port Availability

Model	Female SAE				Female BSPP						
	6	8	10	12	16	3/8	1/2	3/4	1	3/4	1
04	•						•	•			•
05	•	•	•		•	•	•	•			•
08	•	•	•	•	•	•	•	•	•	•	•
10	•	•	•	•	•	•	•	•	•	•	•

• = Standard ★ = Optional

⚠ WARNING

FAILURE OR IMPROPER SELECTION OR IMPROPER USE OF THE PRODUCTS AND/OR SYSTEMS DESCRIBED HEREIN OR RELATED ITEMS CAN CAUSE DEATH, PERSONAL INJURY AND PROPERTY DAMAGE.

This document and other information from Parker Hannifin Corporation, its subsidiaries and authorized distributors provide product and/or system options for further investigation by users having technical expertise. It is important that you analyze all aspects of your application and review the information concerning the product or system in the current product catalog. Due to the variety of operating conditions and applications for these products or systems, the user, through its own analysis and testing, is solely responsible for making the final selection of the products and systems and assuring that all performance, safety and warning requirements of the application are met.

The products described herein, including without limitation, product features, specifications, designs, availability and pricing, are subject to change by Parker Hannifin Corporation and its subsidiaries at any time without notice.

Offer of Sale

The items described in this document are hereby offered for sale by Parker Hannifin Corporation, its subsidiaries or its authorized distributors. This offer and its acceptance are governed by the provisions stated in the full "Offer of Sale".