

# Coil C65

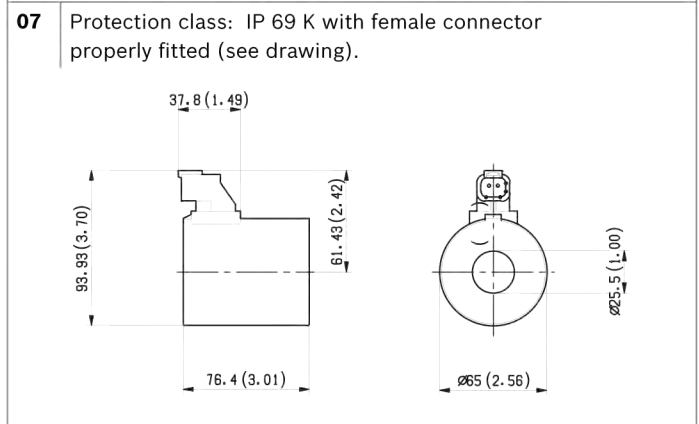
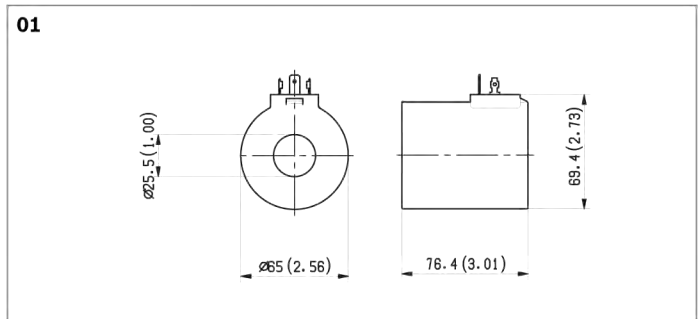
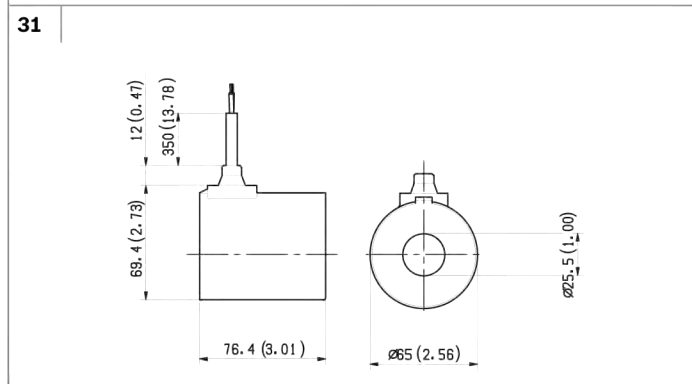
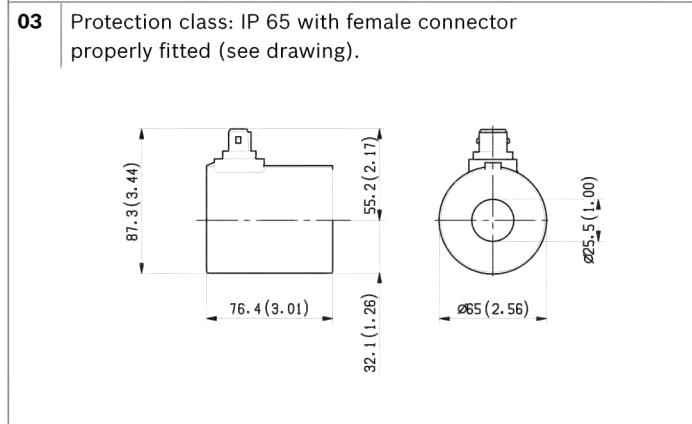
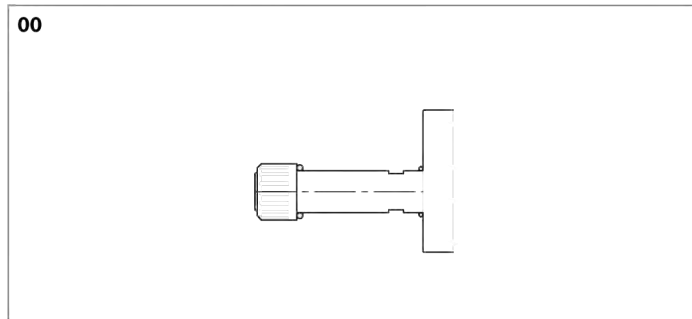
Electrical						
Voltage type		DC				
Voltage tolerance (nominal voltage)	%	-10 .... +10				
Duty		Continuous, with ambient temperature ≤ 50°C (122°F)				
Coil wire temperature not to be exceeded	°C (°F)	150 (302)				
Insulation class		H				
Compliance with		Low Voltage Directive LVD 73/23/EC (2006/95/EC), 2004/108/EC				
Coil weight with DIN 43650 – ISO 4400 connector	kg (lbs)	1.05 (2.3)				
Voltage	V	12	13	24	27	48
Voltage type		DC	DC	DC	DC	DC
Power consumption	W	44	44	44	44	44
Current (nominal at 20 °C (68 °F))	A	3.6	3.4	1.8	1.6	0.9
Resistance (nominal at 20 °C (68 °F))	Ω	3.2	3.6	12.8	16.9	50.5V

## Note

For applications with different specifications consult us.

Code	Voltage [V]	Connector type	Coil description	Marking	Coil Mat no.
<b>OB 01</b>	12 DC	EN 175301-803 (Ex. DIN 43650)	C6501 12DC	12 DC	R933000100
<b>OB 03</b>	12 DC	AMP JUNIOR	C6503 12DC	12 DC	R933000119
<b>OB 07</b>	12 DC	DEUTSCH DT 04-2P	C6507 12DC	12 DC	R933000107
<b>OB 31</b>	12 DC	Cable 350 mm long	C6531 12DC	12 DC	R933000104
<b>AD 01</b>	13 DC	EN 175301-803 (Ex. DIN 43650)	C6501 13DC	13 DC	R933000101
<b>AD 07</b>	13 DC	DEUTSCH DT 04-2P	C6507 13DC	13 DC	R933000112
<b>OC 01</b>	24 DC	EN 175301-803 (Ex. DIN 43650)	C6501 24DC	24 DC	R933000102
<b>OC 03</b>	24 DC	AMP JUNIOR	C6503 24DC	24 DC	R933000120
<b>OC 07</b>	24 DC	DEUTSCH DT 04-2P	C6507 24DC	24 DC	R933000111
<b>OC 31</b>	24 DC	Cable 350 mm long	C6531 24DC	24 DC	R933000110
<b>AC 01</b>	27 DC	EN 175301-803 (Ex. DIN 43650)	C6501 27DC	27 DC	R933000103
<b>AC 03</b>	27 DC	AMP JUNIOR	C6503 27DC	27 DC	R93307055
<b>AC 07</b>	27 DC	DEUTSCH DT 04-2P	C6507 27DC	27 DC	R933000113
<b>OD 01</b>	48 DC	EN 175301-803 (Ex. DIN 43650)	C6501 48DC	48 DC	R933000114

## Electric connection



### Bosch Rexroth Oil Control S.p.A.

Oleodinamica LC Division  
Via Artigianale Sedrio, 12  
42030 Vezzano sul Crostolo  
Reggio Emilia - Italy  
Tel. +39 0522 601 801  
Fax +39 0522 606 226 / 601 802  
compact-hydraulics-cdv@boschrexroth.com  
www.boschrexroth.com/compacthydraulics

© This document, as well as the data, specifications and other information set forth in it, are the exclusive property of Bosch Rexroth Oil Control S.p.a. It may not be reproduced or given to third parties without its consent. The data specified above only serve to describe the product. No statements concerning a certain condition or suitability for a certain application can be derived from our information. The information given does not release the user from the obligation of own judgment and verification. It must be remembered that our products are subject to a natural process of wear and aging. Subject to change.