

RE 18310-20/04.10

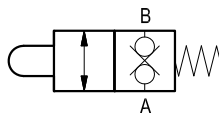
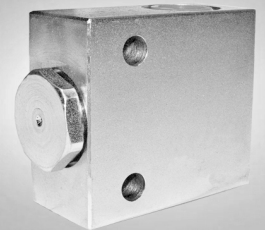
1/2

Replaces: RE 00171/02.07

# End of stroke, double lock normally closed

A-VMS-13-DT

FC 13/C13

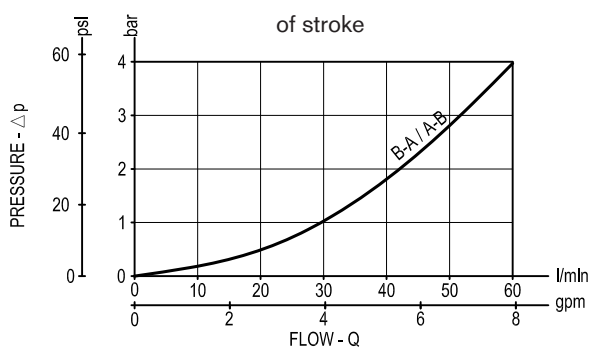


## Description

This pushbutton valve allows oil passage in a hydraulic circuit (flow is blocked in both directions); once the slider is set into action oil flow is free from B to A and from A to B.

Connect A directly to the tank and B as for necessity; mounting scheme can vary according to the use.

## Performance



## Technical data

### Hydraulic

Max. operating pressure	bar (psi)	250 (3600)
-------------------------	-----------	------------

Max. flow	l/min (gpm)	60 (16)
-----------	-------------	---------

Relief setting: at least 1.3 times the highest expected load.

### General

Manifold material	Steel
-------------------	-------

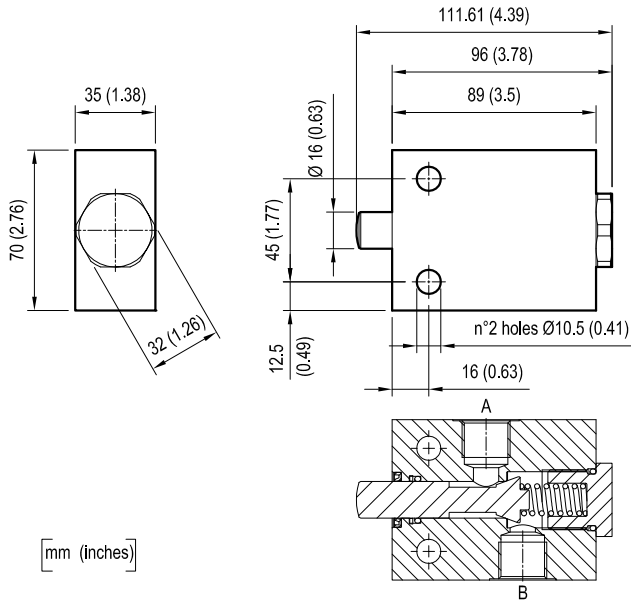
Weight	kg (lbs)	1.5 (3.3)
--------	----------	-----------

Fluid temperature range	°C (°F)	between -30 (-22) and +100 (212)
-------------------------	---------	----------------------------------

Other technical data	see data sheet RE 18350-50
----------------------	----------------------------

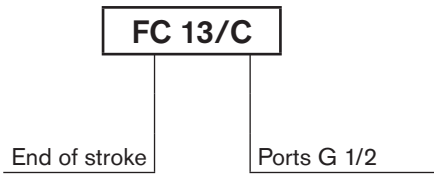
**Note:** for applications outside these parameters, please consult us.

Dimensions



Spring weight - N	
End stroke	Of stroke
170	470

Ordering code



Type	Material number
FC13/C	R932500201

Type	Material number