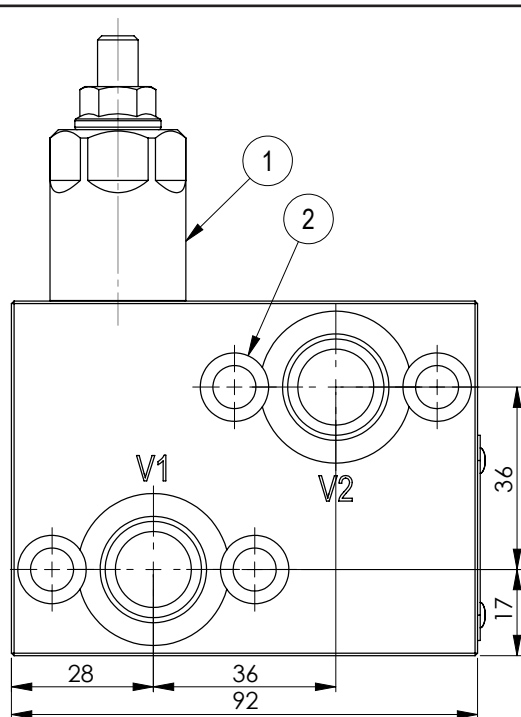
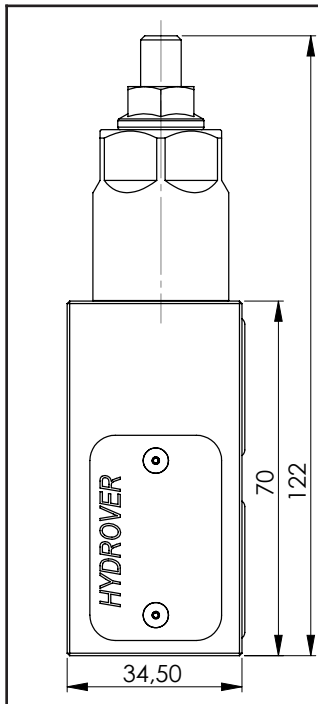
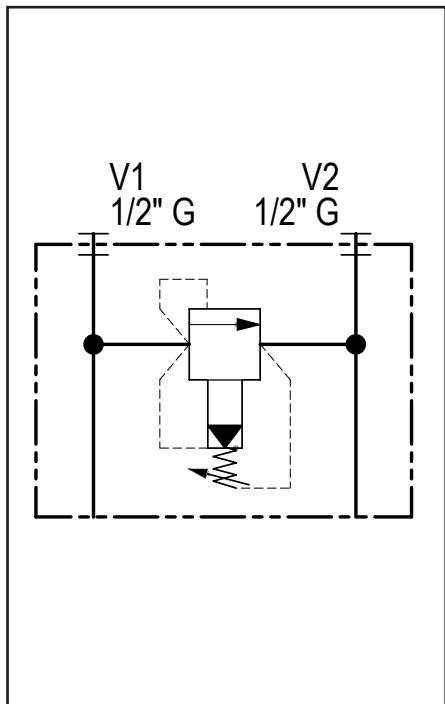
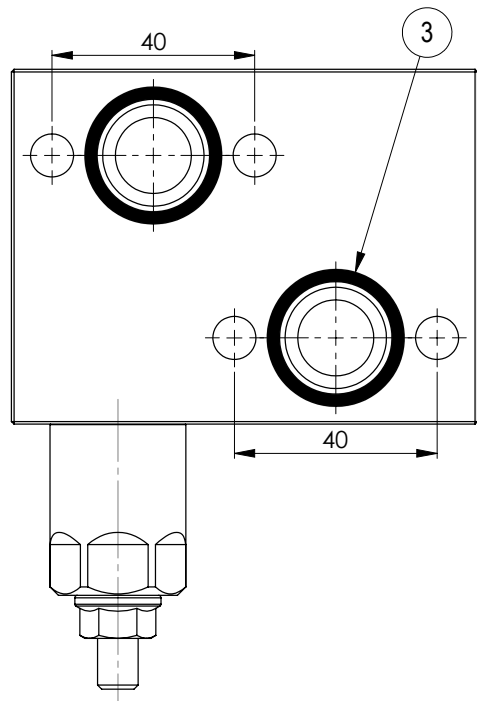
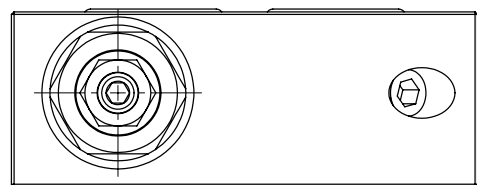
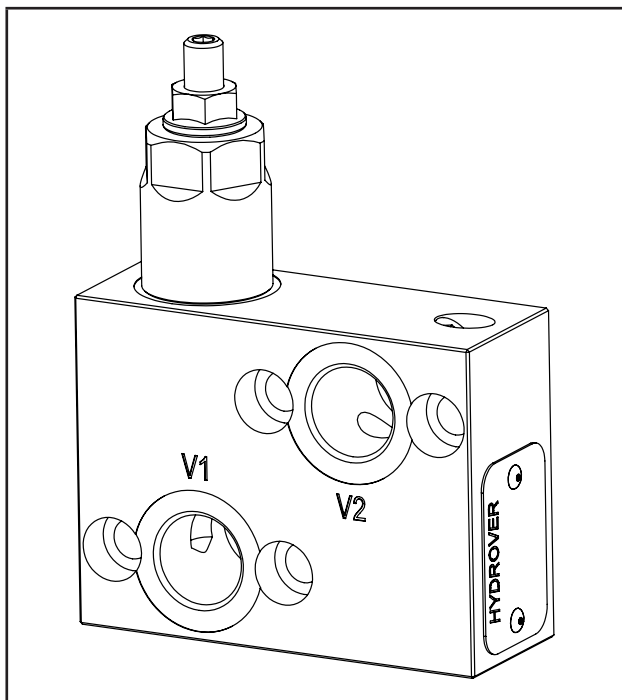


Relief valve single effect for OMH-OMP-OMR motors / 80 lpm **H14001**



Dimensions in mm

| Technical data | |
|-------------------|----------|
| Max. pressure | 250 bar |
| Max. flow | 80 lpm |
| Weight | 0,7 Kg |
| Manifold material | Aluminum |
| V1 / V2 ports | 1/2" G |



| N° | Description | Q.ty |
|----|---|------|
| 1 | Bosch Rexroth relief valve VSPN-10A depicted with screw adjustment * | 1 |
| 2 | Ø 8,5 through hole for mounting with counterbore | 4 |
| 3 | OR 130 i. Ø 22,22 cross section 2,62 | 2 |

* for complete technical information, click on the blue link or go to the components section at the end of the catalogue

Ordering code

| | | | | | | | | | |
|---|---|---|---|---|---|---|---|---|---|
| H | 1 | 4 | 0 | 0 | 1 | A | - | _ | _ |
|---|---|---|---|---|---|---|---|---|---|

Hydrover product

Product series

14 series - Valves for hydraulic motors

Product ID

Manifold material

Aluminum

Relief valve adjustment pressure range *

- 1 = 35-140 bar
- 2 = 70-280 bar
- 3 = 140-420 bar
- 3 = 35-350 bar (adj. knob)

Relief valve adjustment type *

- S = Screw
- K = Knob

* Omit if not required. To order the product without the pressure relief cartridge valve, omit the pressure range and the adjustment type options: H14001A.
The manifold will still be provided with the corresponding cavity.