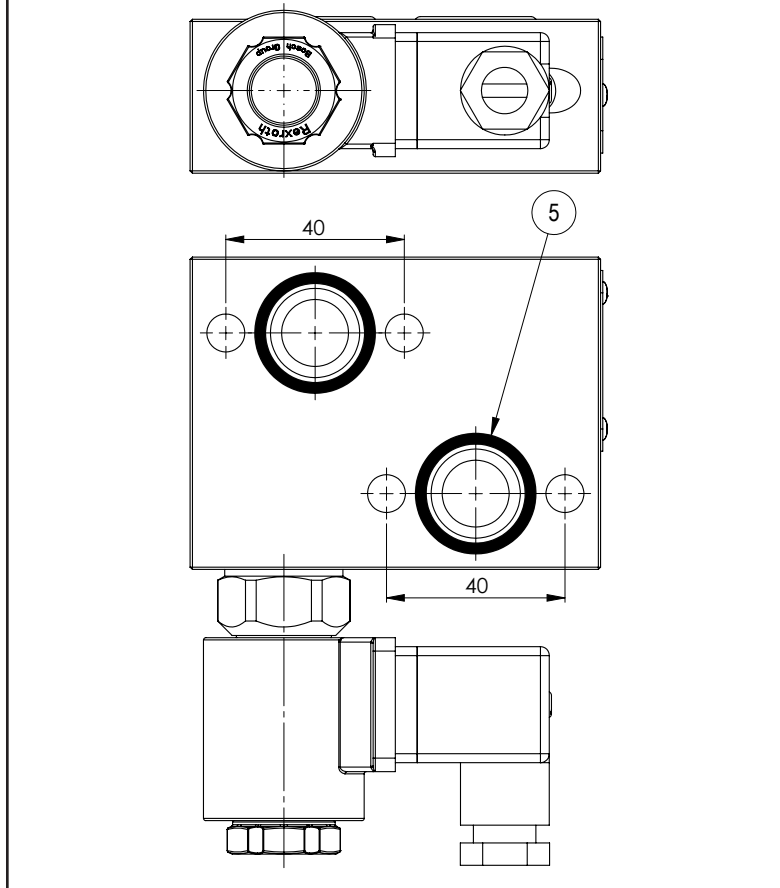
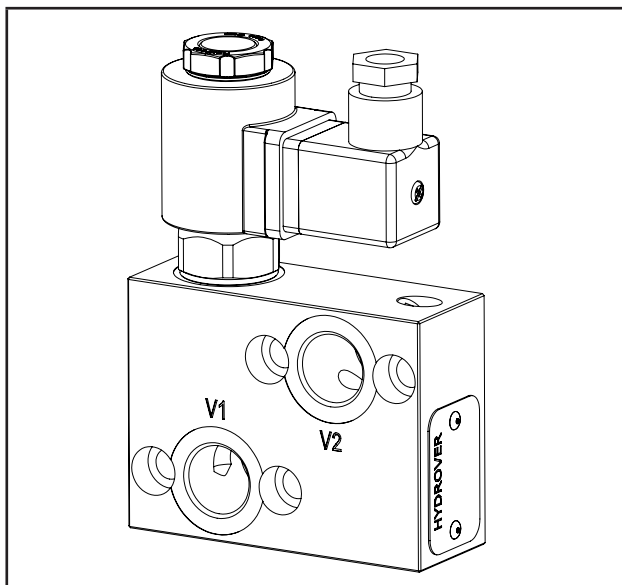


Technical data	
Max. pressure	250 bar
Max. flow	70 lpm
Weight	0,8 Kg
Manifold material	Aluminium
V1 / V2 ports	1/2" G



N°	Description	Q.ty
1	Bosch Rexroth solenoid valve VEI-16-10A-NC OD.15-X-36-Y-000000 (normally closed) or VEI-16-10A-NA OD.15-X-36-Y-000000 (normally open) depicted without manual override *	1
2	Bosch Rexroth coil D36 - CLASS H DIN 43650 ISO 4400 *	1
3	Connector DIN 43650 ISO 4400	1
4	Ø 8,5 through hole for mounting with counterbore	4
5	OR 130 i. Ø 22,22 cross section 2,62	2

* for complete technical information, click on the blue link or go to the components section at the end of the catalogue

Ordering code



Hydrover product

Product series
14 series - Valves for hydraulic motors

Product ID

Manifold material
Aluminium

Solenoid valve spool type *

- Normally open = NA
- Normally closed = NC
- Normally open double lock = 2A
- Normally closed double lock = 2C

Solenoid valve coil connection *

- 1 = DIN 43650 ISO 4400

Solenoid valve coil voltage *

- OB = 12V DC
- OC = 24V DC
- OD = 48V DC
- OU = 110V RAC
- AH = 230V RAC

Solenoid valve manual override *

- E0 = Without
- EP = Push (NA)
- EV = Screw (NC)
- EG = Push and twist (NA)

* Omit if not required. For example, to order the product without the solenoid cartridge valve, omit the coil connection, coil voltage and manual override options: H14002A.
The manifold will still be provided with the corresponding cavity.

