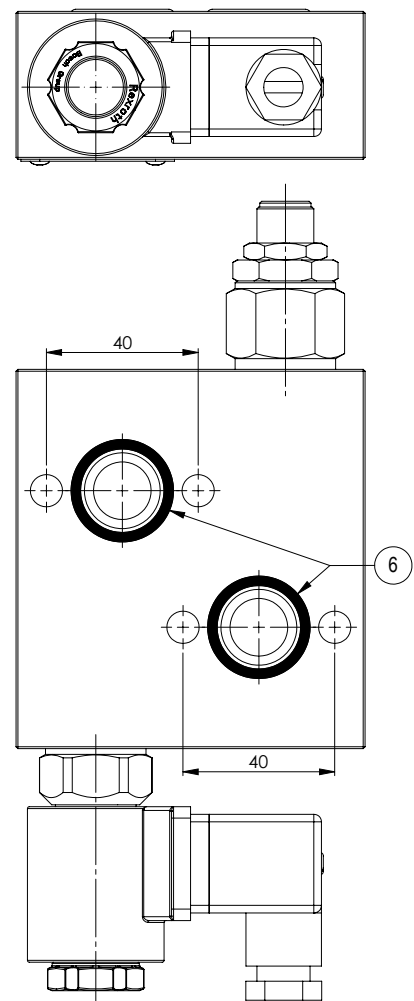
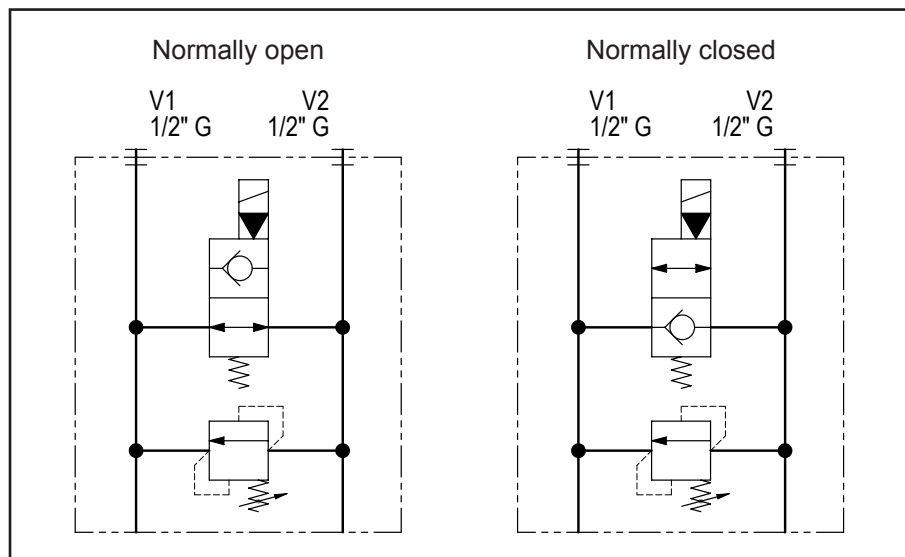
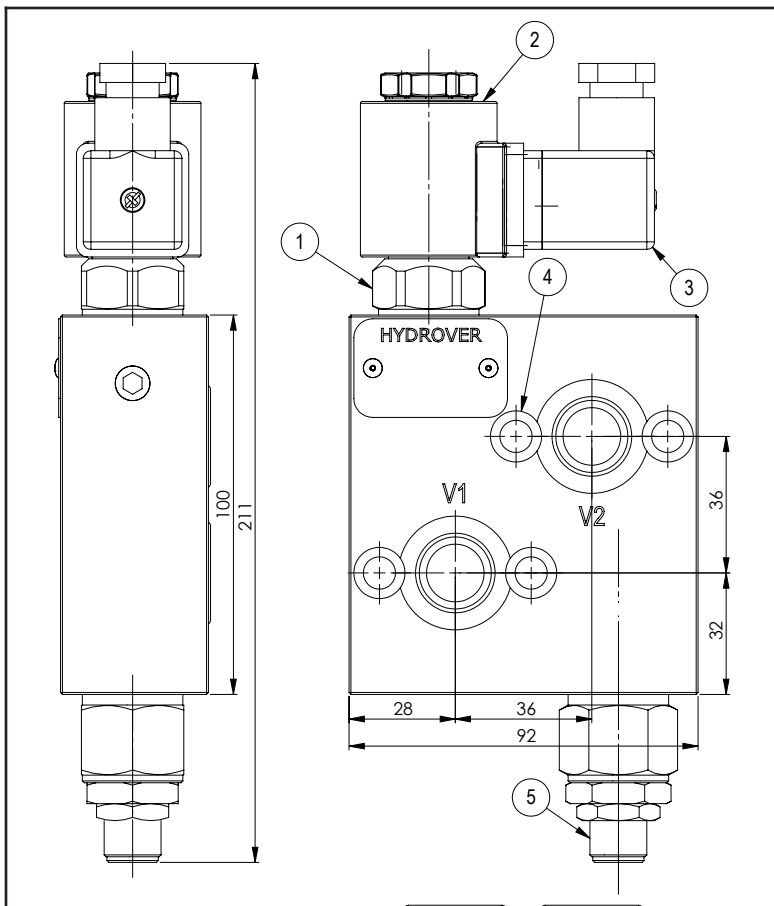
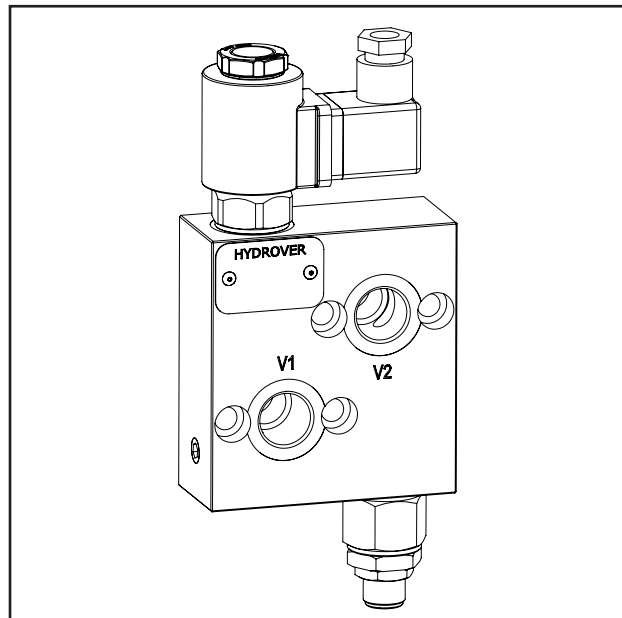


Technical data	
Max. pressure	250 bar
Max. flow	60 lpm
Weight	1,4 Kg
Manifold material	Aluminium
V1 / V2 ports	1/2" G



N°	Description	Q.ty
1	Bosch Rexroth solenoid valve <b>OD.15.05.36-Y-000000</b> (normally closed) or <b>OD.15.06.36-Y-000000</b> (normally open) depicted without manual override *	1
2	Bosch Rexroth coil <b>D36</b> - CLASS H DIN 43650 ISO 4400 *	1
3	Connector DIN 43650 ISO 4400	1
4	Ø 8,5 through hole for mounting with counterbore	4
5	Bosch Rexroth relief valve <b>VMD1.070</b> *	1
6	OR 130 i. Ø 22,22 cross section 2,62	2

\* for complete technical information, click on the blue link or go to the components section at the end of the catalogue

Ordering code

H 1 4 0 1 0 A - - - - -

**Hydrover product**

**Product series**

14 series - Valves for hydraulic motors

**Product ID**

**Manifold material**

Aluminium

= A

**Relief valve adjustment type \***

Screw

= S

**Relief valve adjustment pressure range \***

10-60 bar

= 0

40-110 bar

= 1

110-220 bar

= 2

220-260 bar

= 3

**Solenoid valve coil connection \***

1 = DIN 43650  
ISO 4400

**Solenoid valve coil voltage \***

OB = 12V DC  
OC = 24V DC  
OD = 48V DC  
OU = 110V RAC  
AH = 230V RAC

**Solenoid valve manual override \***

E0 = Without  
EP = Push (NA)  
EV = Screw (NC)  
EG = Push and twist (NA)

**Solenoid valve spool type \***

NA = Normally open  
NC = Normally closed

\* Omit if not required. For example, to order the product without the solenoid cartridge valve, omit the coil connection, coil voltage and manual override options: H14010A-S2.

The manifold will still be provided with the corresponding cavity.

To inhibit a function, replace the related valve options with TL: eg H14010A-S2-TL.

In the cavity it will be mounted a long plug.

Valve	Cavity	Long plug code
Solenoid valve OD.15.05.36-Y-000000 o OD.15.06.36-Y-000000	CA-10A-2N	<b>0489A200850000</b>
Pressure relief valve VMD1.070	CA-10A-2N	<b>0489A200850000</b>