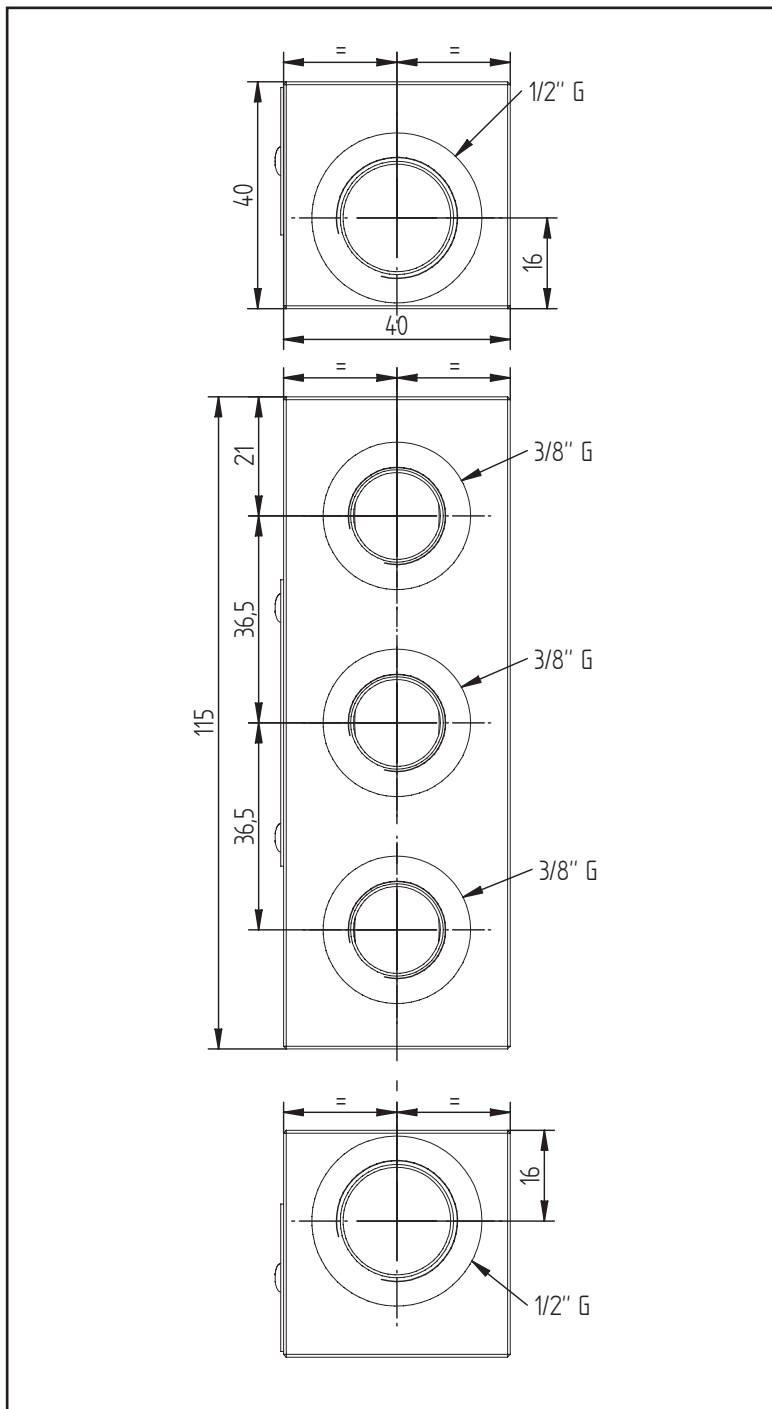
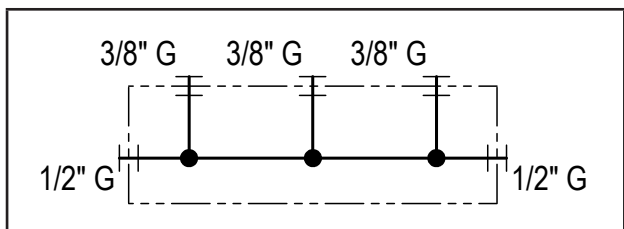
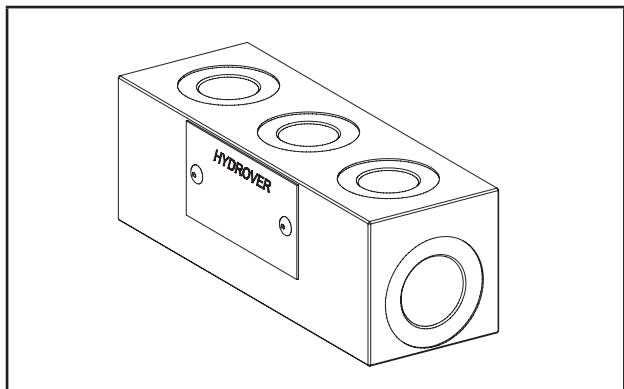


Multi ports manifold / 2 ports 1/2" G / 3 ports 3/8" G **H1601**

Technical data	
Max. pressure	210 bar
Weight	0,4 Kg
Manifold material	Aluminium
Lateral ports	1/2" G
Top ports	3/8" G



H1601

Ordering code

H	1	6	0	1	A
---	---	---	---	---	---

Hydrover product

Product series

Serie 16 - Manifolds

Manifold material

Aluminium

Product ID