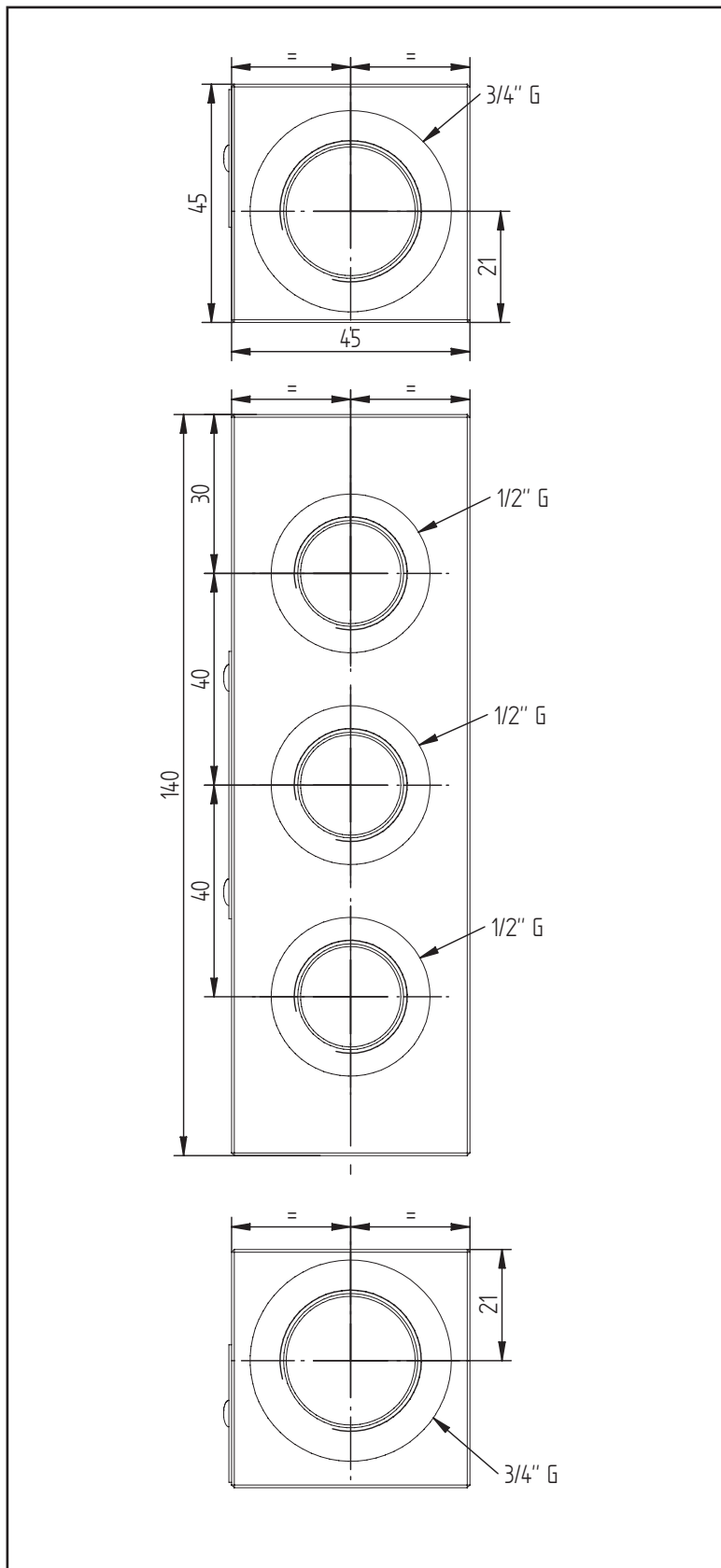
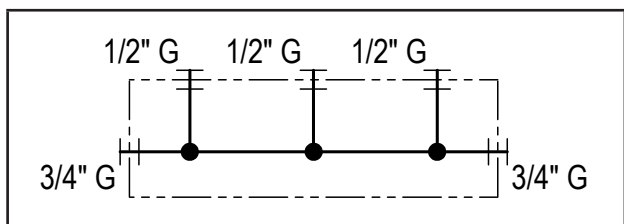
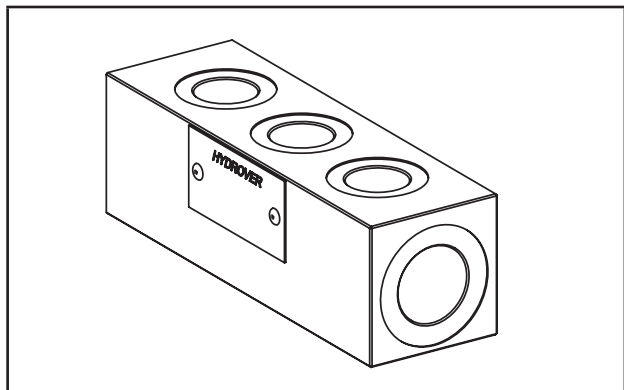


Technical data	
Max. pressure	210 bar
Weight	0,6 Kg
Manifold material	Aluminium
Lateral ports	3/4" G
Top ports	1/2" G



H1602

Ordering code

H	1	6	0	2	A
---	---	---	---	---	---

Hydrover product

Product series

Serie 16 - Manifolds

Manifold material

Aluminium

Product ID