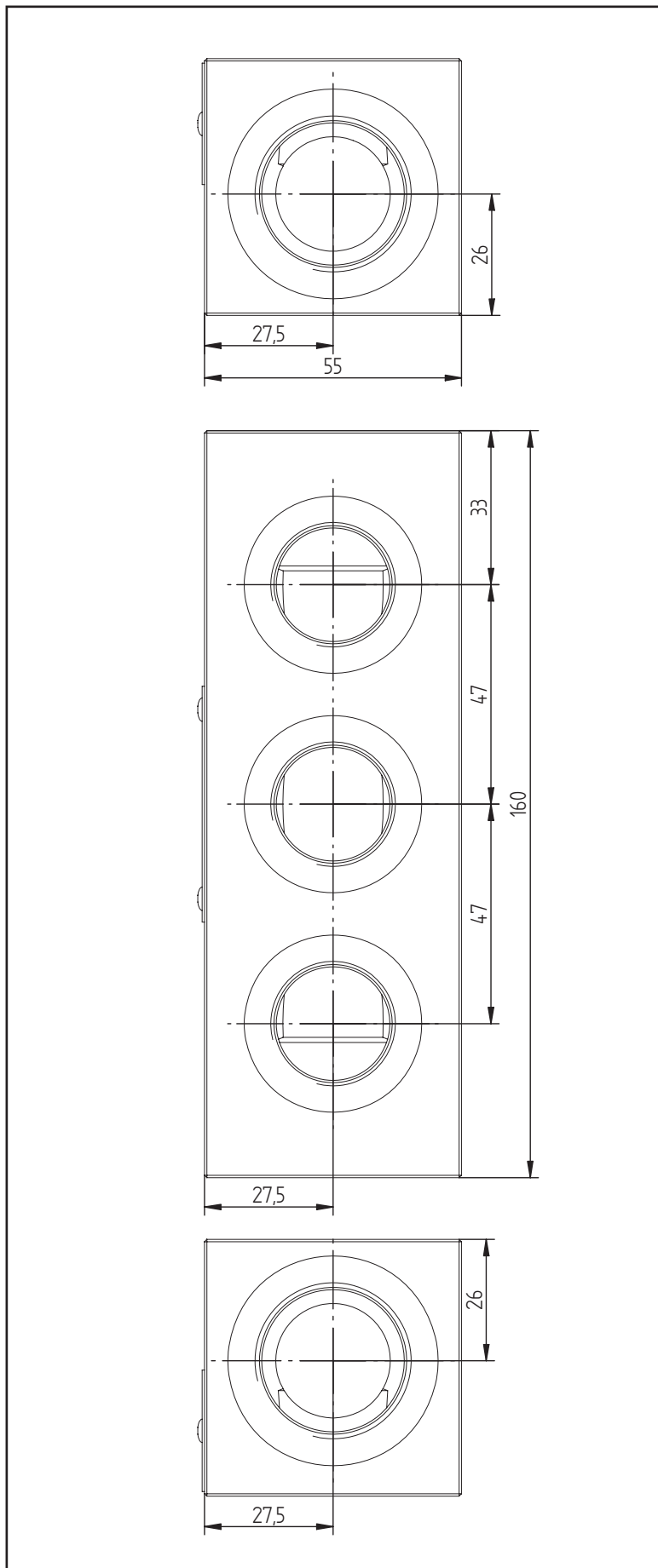
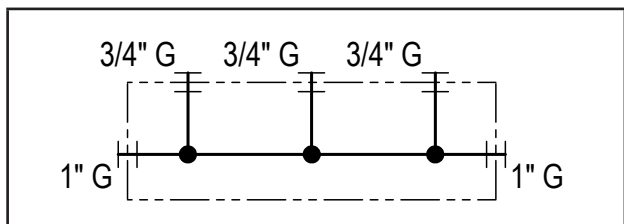
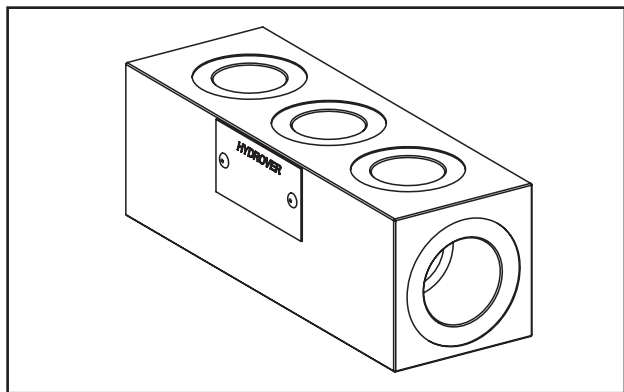


Multi ports manifold / 2 ports 1" G / 3 ports 3/4" G **H1603**

Technical data	
Max. pressure	210 bar
Weight	1,1 Kg
Manifold material	Aluminium
Lateral ports	1" G
Top ports	3/4" G



Dimensions in mm

**H1603**

Ordering code

H	1	6	0	3	A
---	---	---	---	---	---

**Hydrover product**

**Product series**

Serie 16 - Manifolds

**Manifold material**

Aluminium

**Product ID**