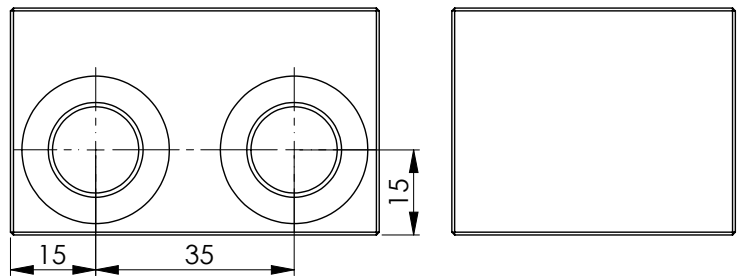
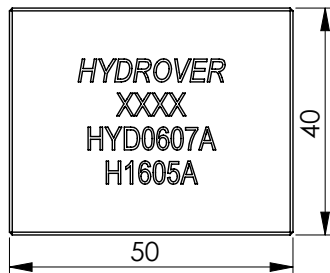
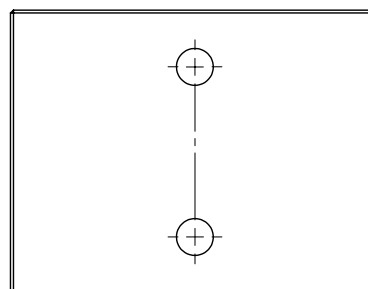
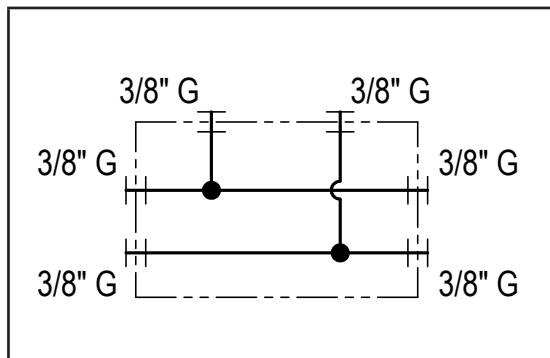
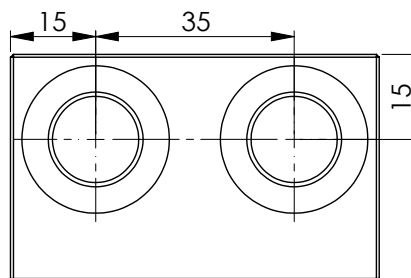
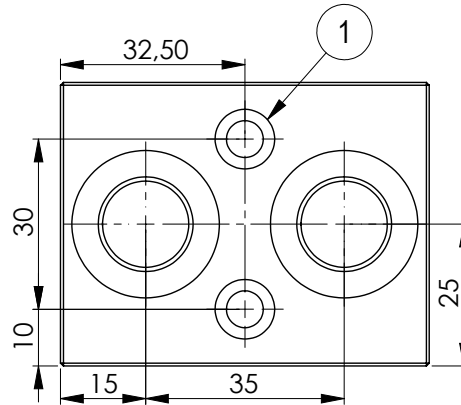
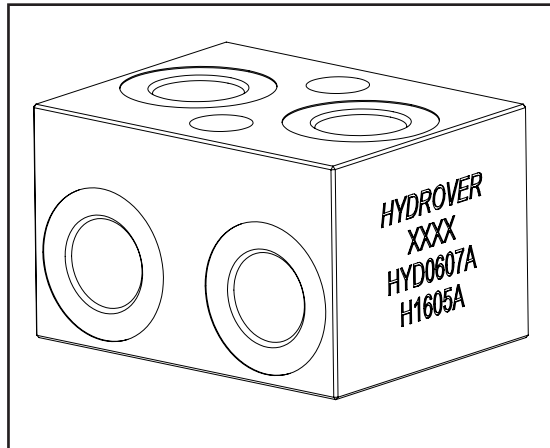


Multi ports manifold double T 3/8" G **H1605**

Dimensions in mm



Technical data	
Max. pressure	250 bar
Weight	0,3 Kg
Manifold material	Aluminum
Ports	3/8" G



N°	Description	Q.ty
1	∅ 6,5 through hole for mounting with counterbore	2

H1605

Ordering code

H	1	6	0	5	A
---	---	---	---	---	---

Hydrover product

Product series

Serie 16 - Manifolds

Manifold material

Aluminum

Product ID