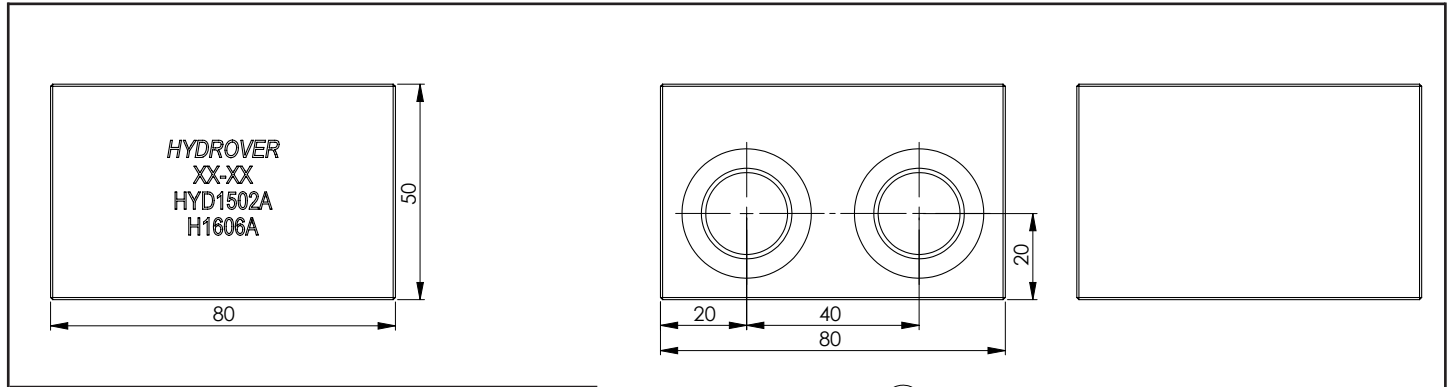
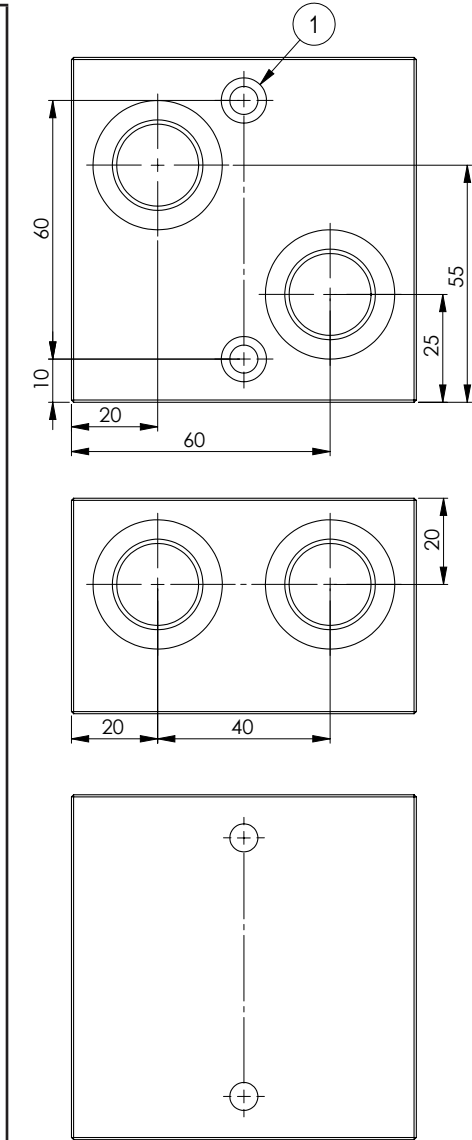
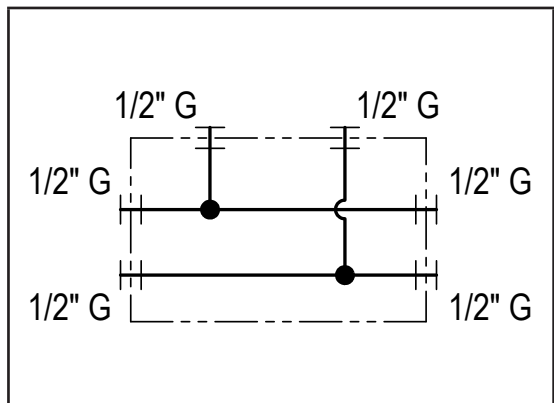
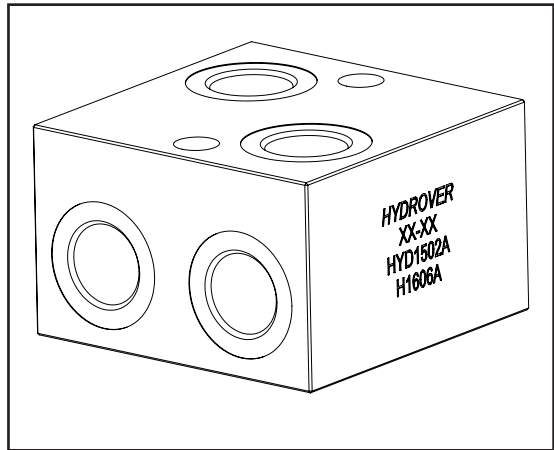


Multi ports manifold double T - 1/2" G **H1606**



Technical data	
Max. pressure	250 bar
Weight	0,8 Kg
Manifold material	Aluminum
Ports	1/2" G



Dimensions in mm

N°	Description	Q.ty
1	Fixing through hole Ø 6,5 with counterbore	2

H1606

Ordering code

H	1	6	0	6	A
---	---	---	---	---	---

Hydrover product

Product series

Serie 16 - Manifolds

Material
Aluminum

Product ID