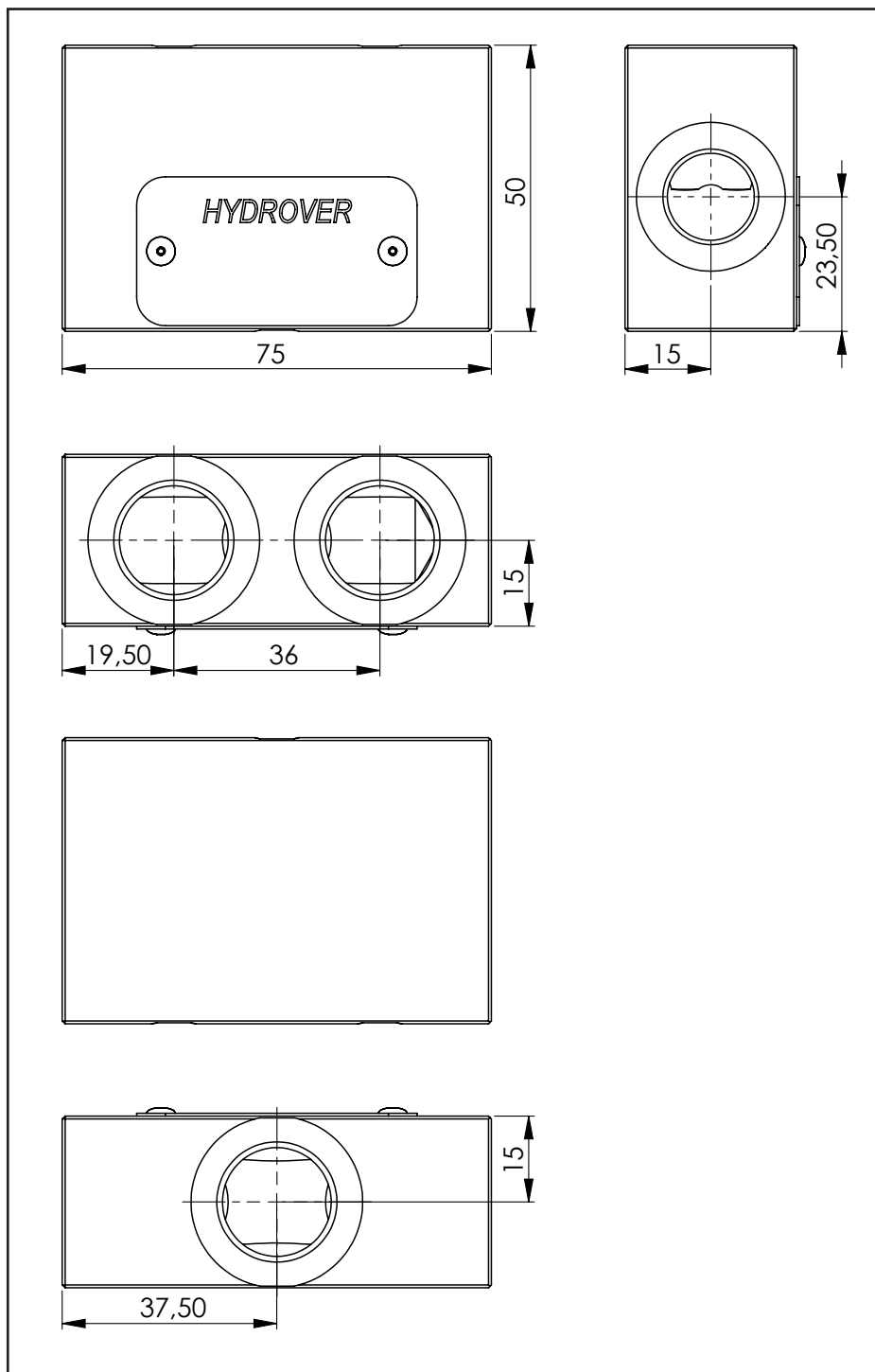
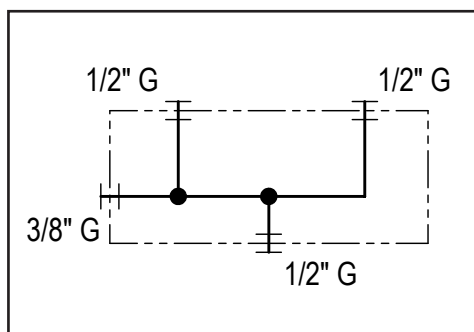
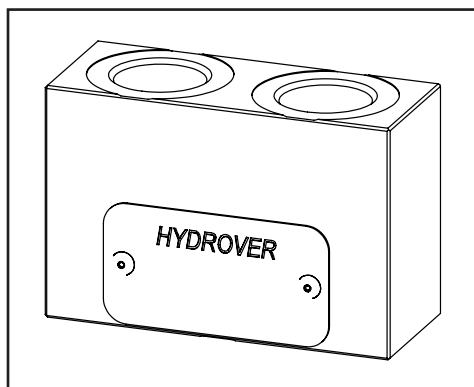


Technical data	
Max. pressure	350 bar
Weight	0,7 Kg
Manifold material	Steel
Top and bottom ports	1/2" G
Lateral port	3/8" G



Dimensions in mm

**H1610**

Ordering code

H	1	6	1	0	S
---	---	---	---	---	---

**Hydrover product**

**Manifold material**  
Steel

**Product series**  
Serie 16 - Manifolds

**Product ID**