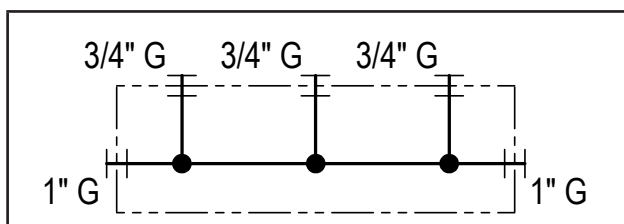
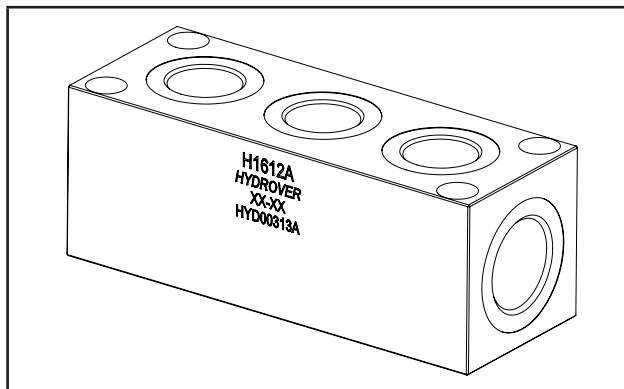
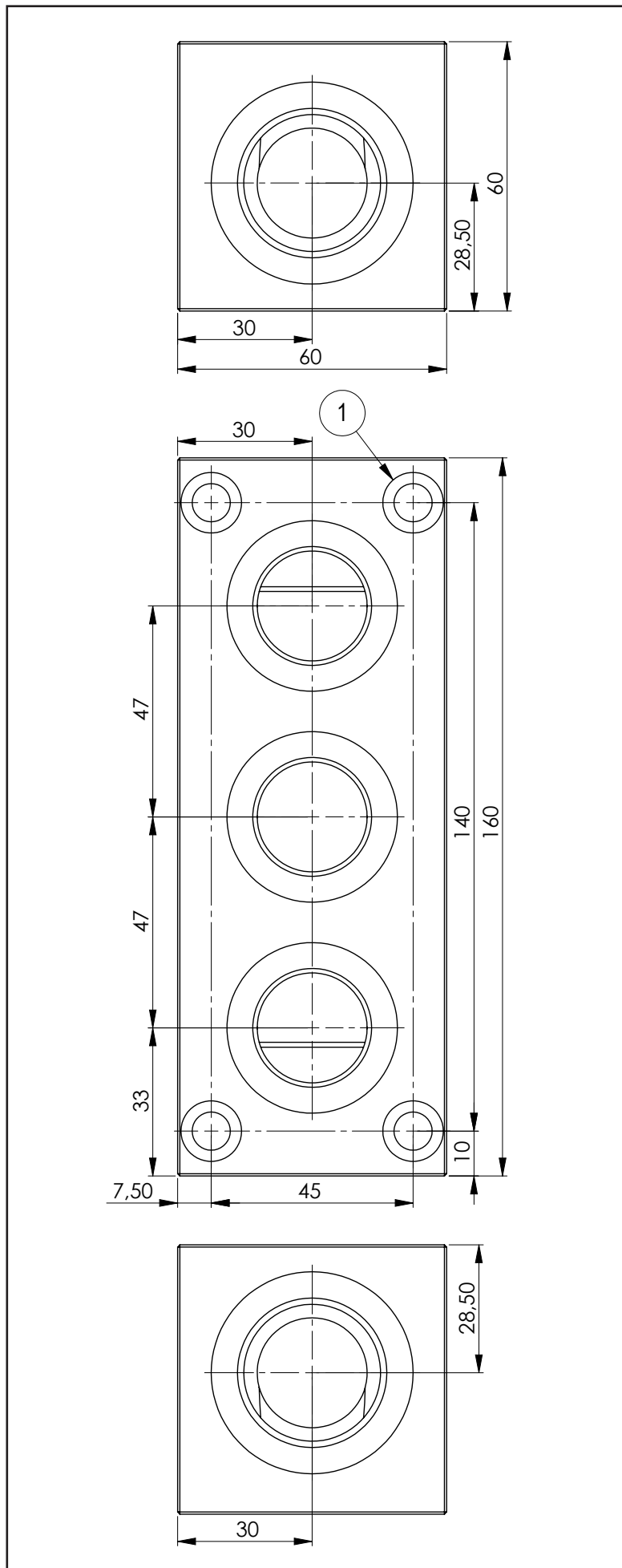


Multi ports manifold - 2 ports 1" G - 3 ports 3/4" G **H1612**

Technical data	
Max. pressure	210 bar
Weight	1,25 Kg
Manifold material	Aluminium
Lateral ports	1" G
Top ports	3/4" G



N°	Description	Q.ty
1	Ø 8,5 through hole for mounting with counterbore	4



H1612

Ordering code

H	1	6	1	2	A
---	---	---	---	---	---

Hydrover product

Product series

Serie 16 - Manifolds

Manifold material

Aluminium

Product ID