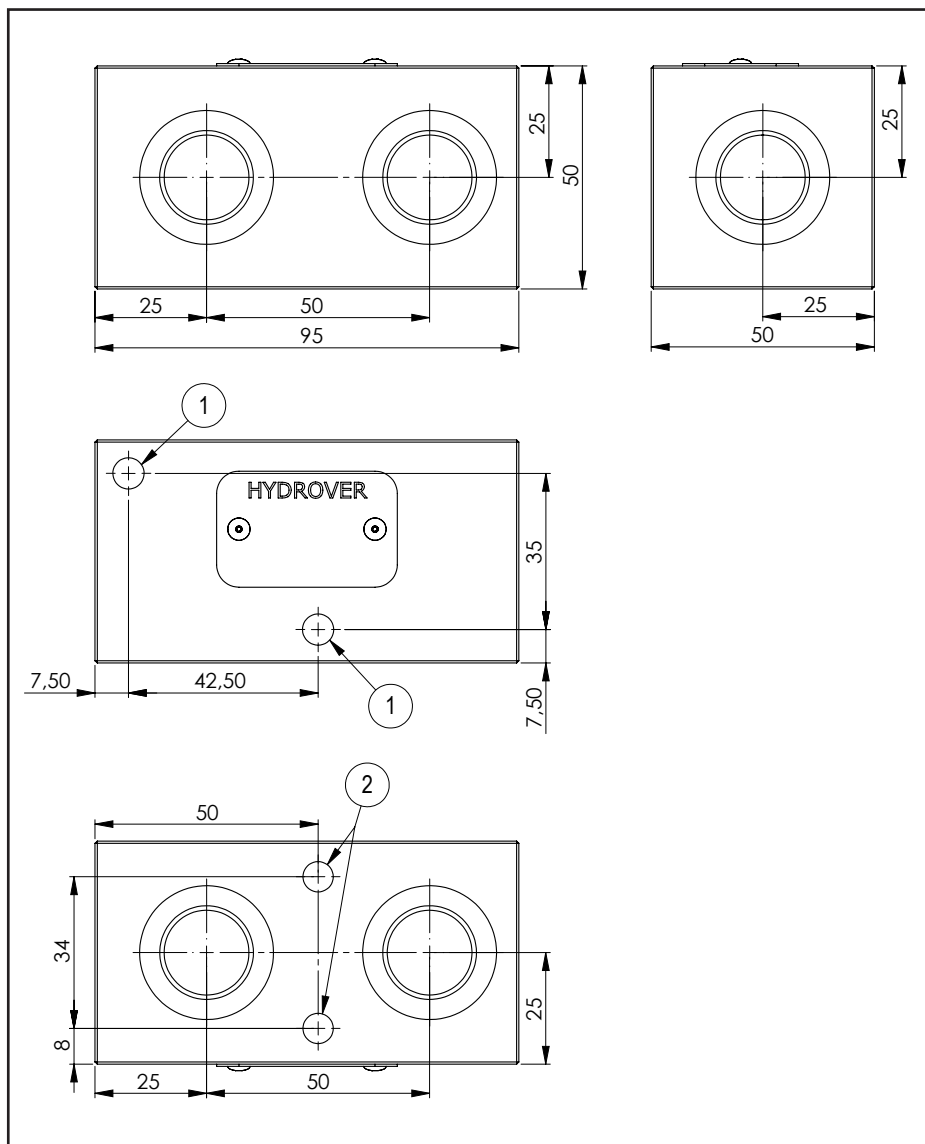
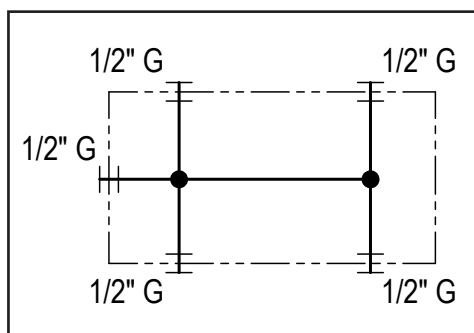
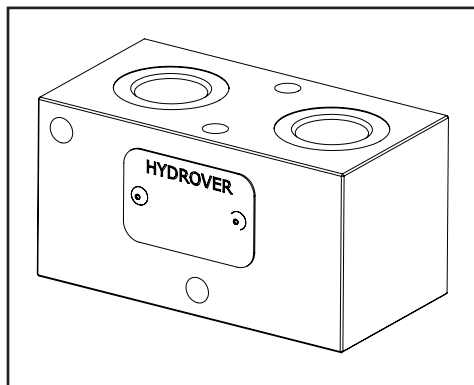


Technical data	
Max. pressure	350 bar
Weight	1,5 Kg
Manifold material	Steel
Ports	1/2" G



N°	Description	Q.ty
1	Ø 7 through hole for mounting	2
2	M8x10 thread for mounting	2

H1616

Ordering code

H	1	6	1	6	S
---	---	---	---	---	---

Hydrover product

Product series

Serie 16 - Manifolds

Manifold material
Steel

Product ID