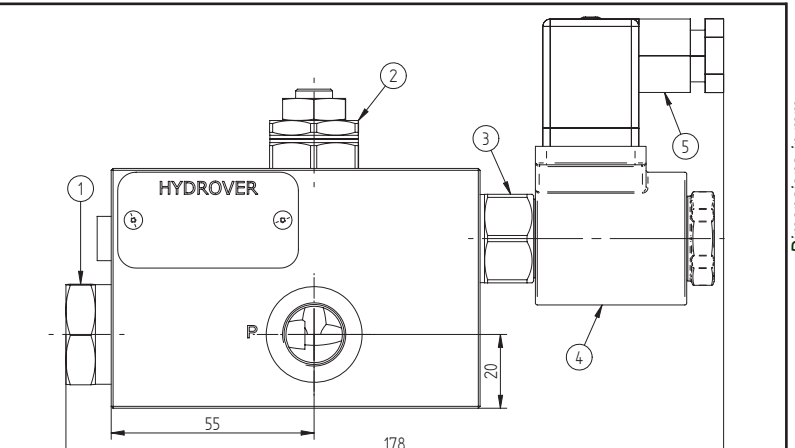
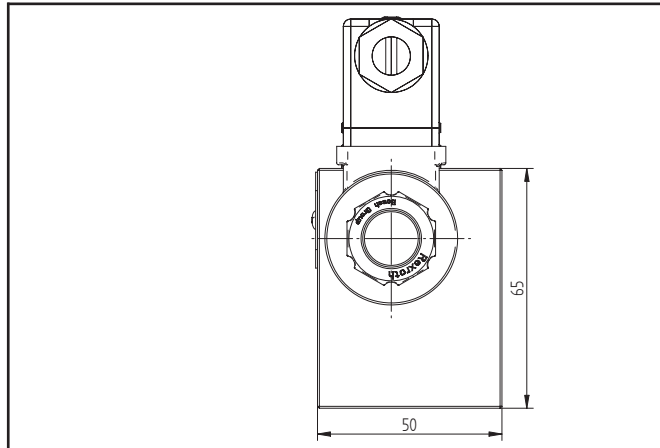
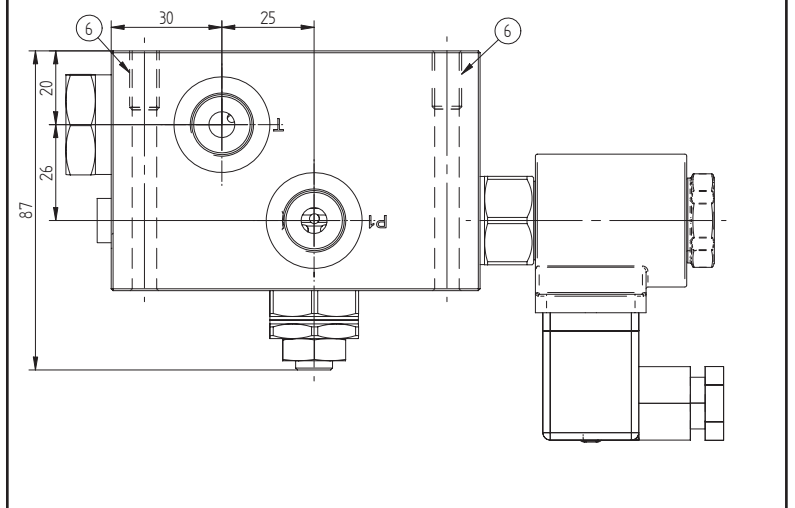
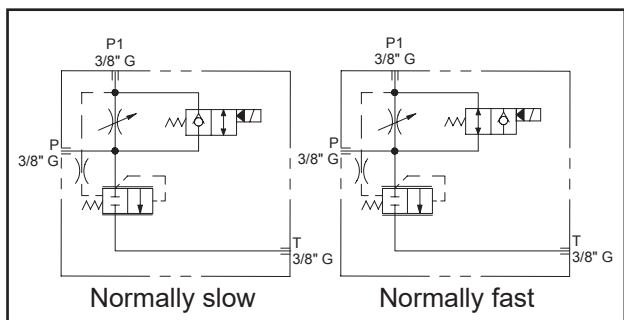
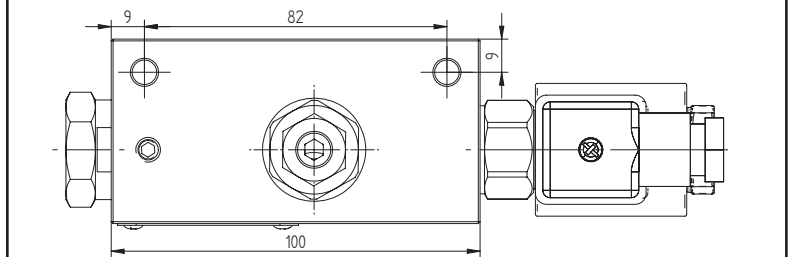
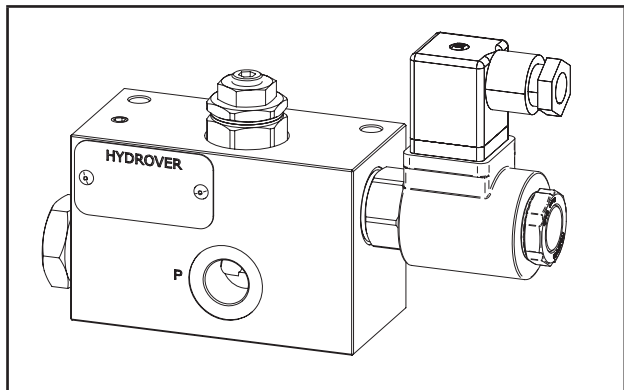


3 way compensated fast slow speed inline valve / 30 lpm **H17001**



Dimensions in mm

Technical data	
Max. pressure	250 bar
Max. flow	30 lpm
Weight	1,2 Kg
Manifold material	Aluminium
P / P1 / T ports	3/8" G



N°	Description	Q.ty
1	Pressure compensator	1
2	Bosch Rexroth bidirectional flow restrictor <b>OD.21.01-X-56</b> * depicted with screw adjustment	1
3	Bosch Rexroth solenoid valve for fast slow function <b>VEI-16-08A-NC OD.15.05.18-Y-000000</b> (normally slow) o <b>VEI-16-08A-NA OD.15.06.18-Y-000000</b> (normally fast) depicted without manual override *	1
4	Bosch Rexroth coil <b>D36</b> - CLASS H DIN 43650 ISO 4400 *	1
5	Connector DIN 43650 ISO 4400	1
6	M8x15 with Ø 6,5 through hole for mounting with M6 screw	2

\* for complete technical information, click on the blue link or go to the components section at the end of the catalogue

Ordering code

H 1 7 0 0 1 A \_ \_ Q - \_ - - \_ - -

**Hydrover product**

**Product series**

17 series - Inline valves

**Product ID**

**Manifold material**

Aluminium

**Compensator spring**

6 bar (standard) = 6

12 bar = 1

**Restrictor adjustment type**

Screw = S

Knob = K

**Fast slow solenoid valve coil connection \***

1 = DIN 43650  
ISO 4400

**Solenoid valve coil voltage \***

OB = 12V DC  
OC = 24V DC  
OD = 48V DC  
OU = 110V RAC  
AH = 230V RAC

**Fast slow solenoid valve manual override \***

E0 = Without  
EP = Push (NR)  
EV = Screw (NL)  
EG = Push and twist (NR)

**Slow or fast in normal position \***

NL = Normally slow  
NR = Normally fast

\* Omit if not required. For example, to order the product without the fast slow solenoid cartridge valve, omit the fast slow coil connection, coil voltage and manual override options: H17001A4SQ.  
The manifold will still be provided with the corresponding cavity.  
To inhibit a function, replace the related valve options with TL: eg H17001A4SQ-TL.  
In the cavity it will be mounted a long plug.

Valve	Cavity	Long plug code
Solenoid valve VEI-16-08A-NC OD.15.05.18-Y-000000 or VEI-16-08A- NA OD.15.06.18-Y-000000	CA-08A-2N	<b>0489A2005600000</b>