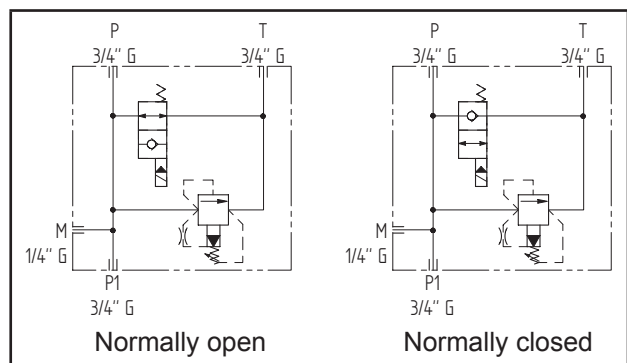
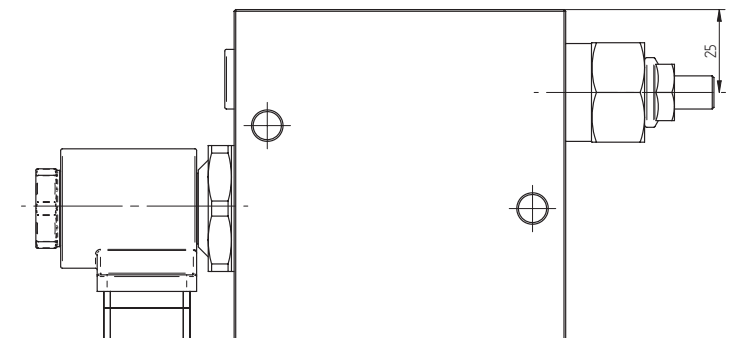
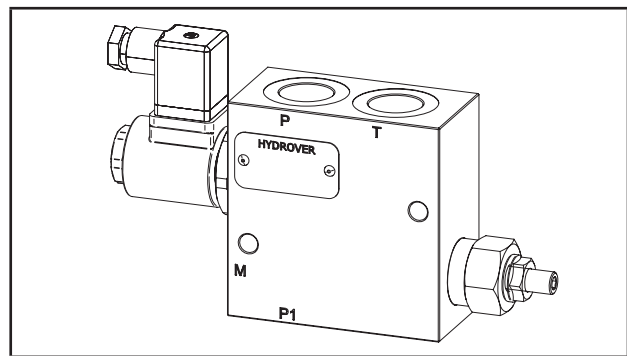
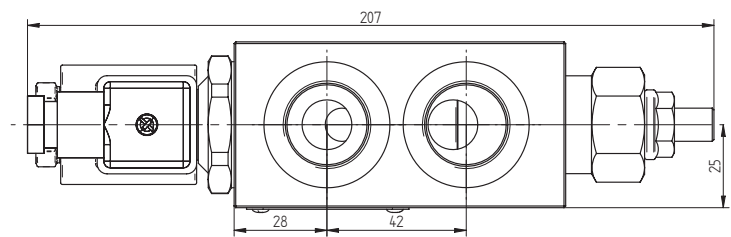


Dimensions in mm

Technical data	
Max. pressure	250 bar
Max. flow	120 lpm
Weight	2,1 Kg
Manifold material	Aluminum
M port	1/4" G
P / P1 / T ports	3/4" G



N°	Description	Q.ty
1	Bosch Rexroth coil <b>D36</b> - CLASS H DIN 43650 ISO 4400 *	1
2	Connector DIN 43650 ISO 4400	1
3	Bosch Rexroth solenoid valve <b>OD.15.05.21-Y-00000</b> (normally closed) o <b>OD.15.06.21-Y-00000</b> (normally open) depicted without manual override *	1
4	Ø 8,5 through hole for mounting	1
5	Bosch Rexroth relief valve <b>VSP-150</b> *	2

\* for complete technical information, click on the blue link or go to the components section at the end of the catalogue

Ordering code

H 1 7 0 0 3 A - - - - - - - - - -

**Hydrover product**

**Product series**

Serie 17 - Inline valves

**Product ID**

**Manifold material**

Aluminum

**Relief valve adjustment type \***

Screw = S  
Knob = K

**Relief valve adjustment pressure range \***

3-70 bar = 0  
7-105 bar = 1  
10-210 bar = 2  
35-420 bar = 3

**Solenoid valve coil connection \***

1 = DIN 43650  
ISO 4400

**Solenoid valve coil voltage \***

OB = 12V DC  
OC = 24V DC  
OD = 48V DC  
OU = 110V RAC  
AH = 230V RAC

**Solenoid valve manual override \***

E0 = Without  
EP = Push (NA)  
EV = Screw (NC)  
EG = Push and twist (NA)

**Solenoid valve spool type \***

NA = Normally open  
NC = Normally closed

\* Omit if not required. For example, to order the product without the solenoid cartridge valve, omit the coil connection, coil voltage and manual override options: H17006A-S2.  
The manifold will still be provided with the corresponding cavity.  
To inhibit a function, replace the related valve options with TL: eg H17003A-TL-NA-E0-OC1.  
In the cavity it will be mounted a long plug.

Valve	Cavity	Long plug code
Solenoid valve OD.15.05.21-Y-00000 / OD.15.06.21-Y-00000	021-E	R-800-015
Pressure relief valve VSP-150	065	Contact Hydrover