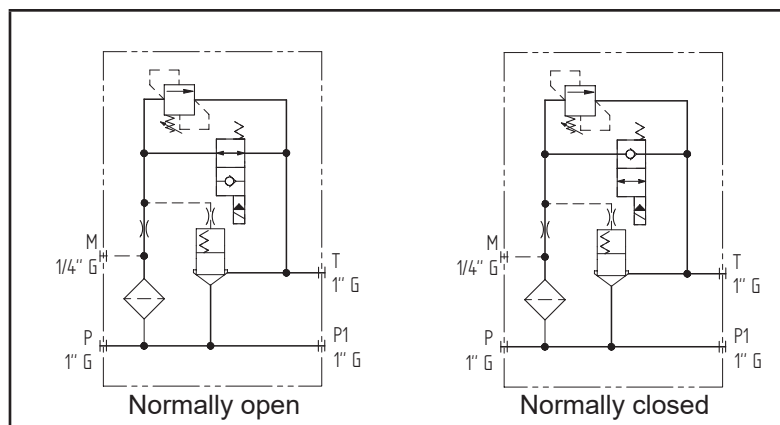
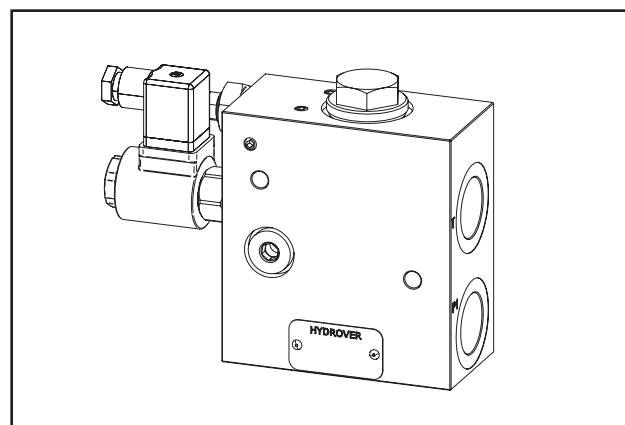


Technical data	
Max. pressure	350 bar
Max. flow	200 lpm
Weight	6,9 Kg
Manifold material	Steel
M port	1/4" G
P / P1 / T ports	1" G



N°	Description	Q.ty
1	Connector DIN 43650 ISO 4400	1
2	Bosch Rexroth coil D36 - CLASS H DIN 43650 ISO 4400 *	1
3	Bosch Rexroth solenoid valve VEI-16-08A-NC OD.15.05.18-Y-000000 (normally closed) o VEI-16-08A-NA OD.15.06.18-Y-000000 (normally open) depicted without manual override *	1
4	Ø 8,5 through hole for mounting	2
5	Bosch Rexroth relief valve VSN-08A depicted with screw regulation*	1

* for complete technical information, click on the blue link or go to the components section at the end of the catalogue

Ordering code

H 1 7 0 0 4 S - - - - - - - - - -

Hydrover product

Product series

17 series - Inline valves

Product ID

Manifold material

Steel

Relief valve adjustment type *

Screw = S
Knob = K

Relief valve adjustment pressure range *

10-70 bar = 0
35-140 bar = 1
105-210 bar = 2
175-350 bar = 3
35-350 bar (adj. knob) = 3

Solenoid valve coil connection *

1 = DIN 43650
ISO 4400

Solenoid valve coil voltage *

OB = 12V DC
OC = 24V DC
OD = 48V DC
OU = 110V RAC
AH = 230V RAC

Solenoid valve manual override *

E0 = Without
EP = Push (NA)
EV = Screw (NC)
EG = Push and twist (NA)

Solenoid valve spool type *

NA = Normally open
NC = Normally closed

* Omit if not required. For example, to order the product without the solenoid cartridge valve, omit the coil connection, coil voltage and manual override options: H17004S-S2.
The manifold will still be provided with the corresponding cavity.
To inhibit a function, replace the related valve options with TL: eg H17004S-TL-NA-E0-OC1.
In the cavity it will be mounted a long plug.

Valve	Cavity	Long plug code
Solenoid valve VEI-16-08A-NC OD.15.05.18-Y-000000 or VEI-16 08A-NA OD.15.06.18-Y-000000	CA-08A-2N	0489A2005600000
Pressure relief valve VSBN-08A	CA-08A-2N	0489A2005600000