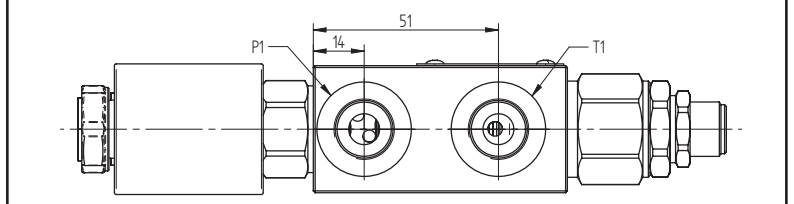
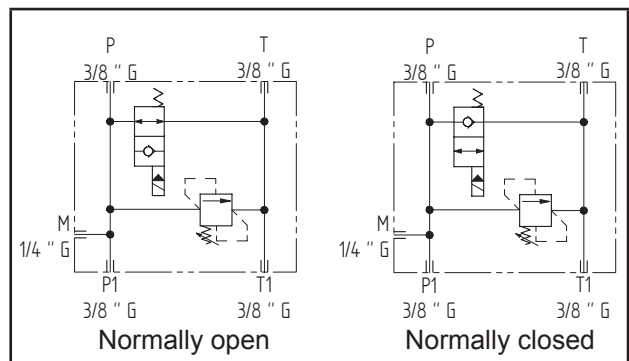
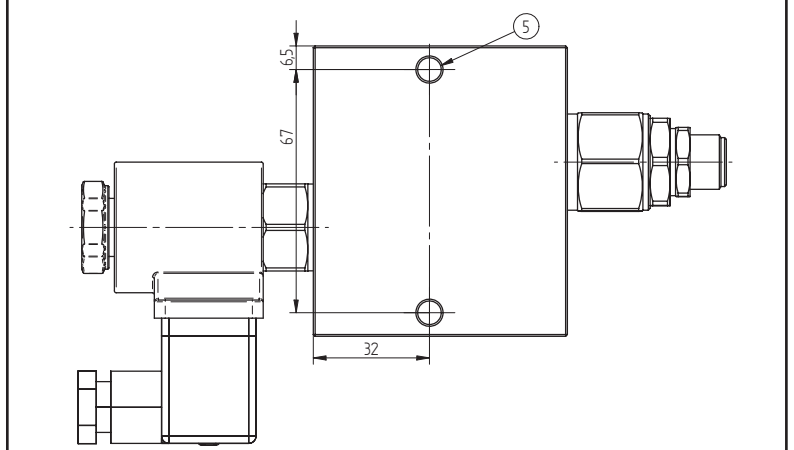
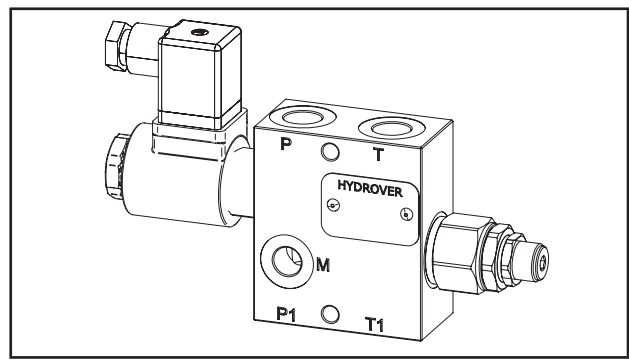
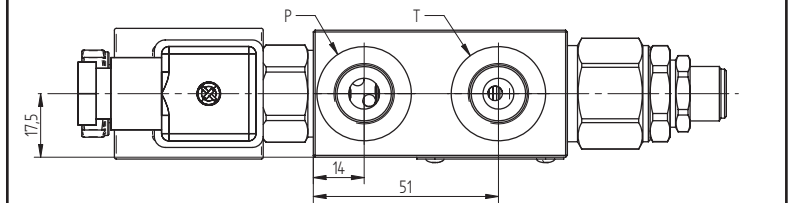


Technical data	
Max. pressure	250 bar
Max. flow	35 lpm
Weight	1 Kg
Manifold material	Aluminium
M port	1/4" G
P / P1 / T / T1 ports	3/8" G



N°	Description	Q.ty
1	Bosch Rexroth coil <b>D36</b> - CLASS H DIN 43650 ISO 4400 *	1
2	Connector DIN 43650 ISO 4400	1
3	Bosch Rexroth solenoid valve <b>VEI-16 OD.15.05.18-Y-000000</b> (normally closed) o <b>VEI-16 OD.15.06.18-Y-000000</b> (normally open) depicted without manual override *	1
4	Bosch Rexroth relief valve <b>VMD1.040</b> *	1
5	Ø 6,5 through hole for mounting	2

\* for complete technical information, click on the blue link or go to the components section at the end of the catalogue

Ordering code

H 1 7 0 0 5 A - - - - - - - - - -

**Hydrover product**

**Product series**

Serie 17 - Inline valves

**Product ID**

**Manifold material**

Aluminium

**Relief valve adjustment type \***

Screw

= S

**Relief valve adjustment pressure range \***

25-120 bar

= 1

40-200 bar

= 2

200-350 bar

= 3

**Solenoid valve coil connection \***

1 = DIN 43650

ISO 4400

**Solenoid valve coil voltage \***

OB = 12V DC

OC = 24V DC

OD = 48V DC

OU = 110V RAC

AH = 230V RAC

**Solenoid valve manual override \***

E0 = Without

EP = Push (NA)

EV = Screw (NC)

EG = Push and twist (NA)

**Solenoid valve spool type \***

NA = Normally open

NC = Normally closed

\* Omit if not required. For example, to order the product without the solenoid cartridge valve, omit the coil connection, coil voltage and manual override options: H17005A-S2.

The manifold will still be provided with the corresponding cavity.

To inhibit a function, replace the related valve options with TL: eg H17005A-S2-TL.

In the cavity it will be mounted a long plug.

Valve	Cavity	Long plug code
Solenoid valve VEI-16 OD.15.05.18-Y-000000 or VEI-16 OD.15.06.18-Y-000000	CA-08A-2N	<b>0489A2005600000</b>
Pressure relief valve VMD1.040	CA-10A-2N	<b>0489A2008500000</b>