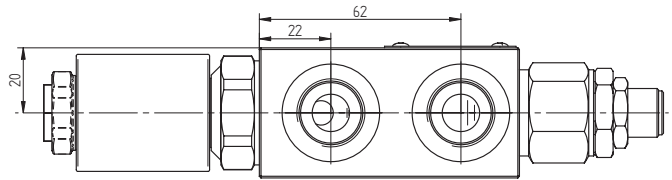
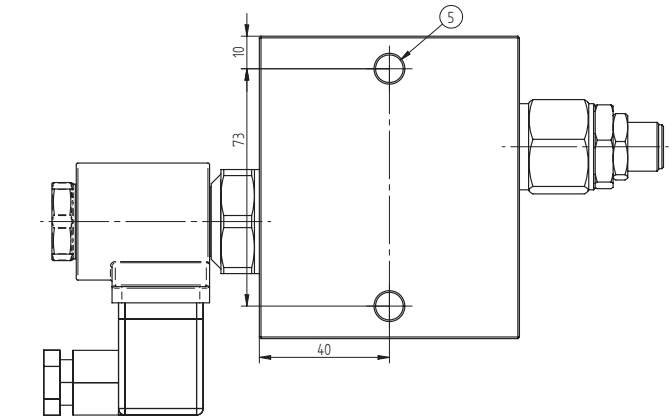
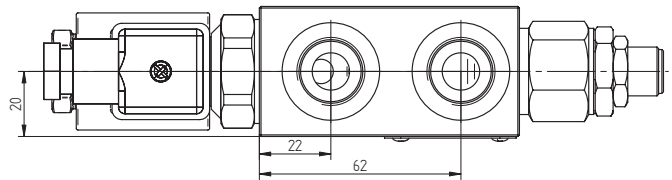
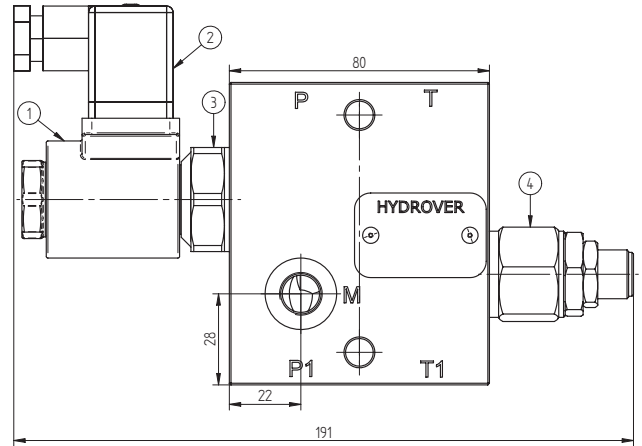
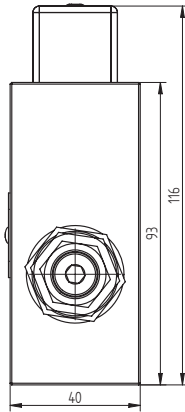
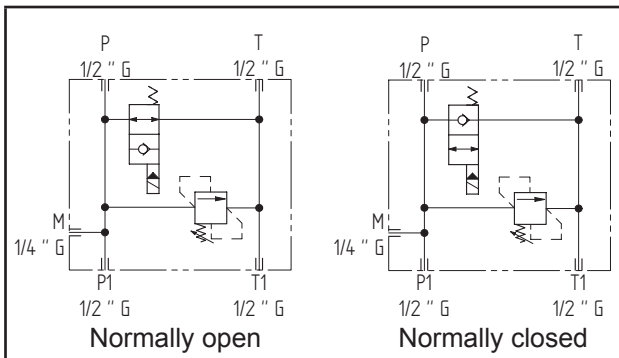
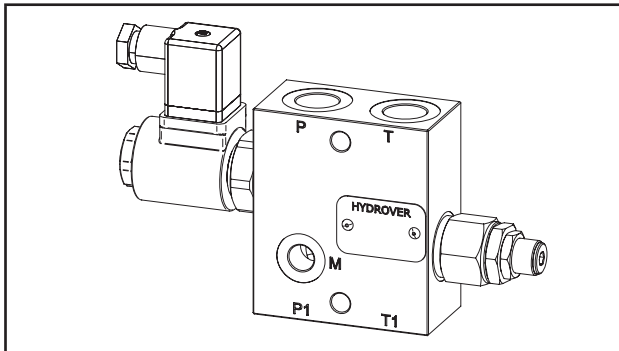


Dimensions in mm



Technical data

Max. pressure	250 bar
Max. flow	60 lpm
Weight	Aluminum 1,3 Kg Steel 2,4 Kg
Manifold material	Aluminum or steel
M port	1/4" G
P / P1 / T / T1 ports	1/2" G



N°	Description	Q.ty
1	Bosch Rexroth coil D36 - CLASS H DIN 43650 ISO 4400 *	1
2	Connector DIN 43650 ISO 4400	1
3	Bosch Rexroth solenoid valve OD.15.05.17-Y-00000 (normally closed) o OD.15.06.17-Y-00000 (normally open) depicted without manual override *	1
4	Bosch Rexroth relief valve VMD1.070 *	1
5	Ø 8,5 through hole for mounting	2

* for complete technical information, click on the blue link or go to the components section at the end of the catalogue

Ordering code

H	1	7	0	0	6	-	-	-	-	-	-	-	-	-	-	-	-
---	---	---	---	---	---	---	---	---	---	---	---	---	---	---	---	---	---

Hydrover product
Product series

Serie 17 - Inline valves

Product ID
Manifold material

Aluminum = A

Steel = S

Relief valve adjustment type *

Screw = S

Relief valve adjustment pressure range *

10-60 bar = 0

40-110 bar = 1

110-220 bar = 2

220-260 bar = 3

Solenoid valve coil connection *

1 = DIN 43650

ISO 4400

Solenoid valve coil voltage *

OB = 12V DC

OC = 24V DC

OD = 48V DC

OU = 110V RAC

AH = 230V RAC

Solenoid valve manual override *

E0 = Without

EP = Push (NA)

EV = Screw (NC)

EG = Push and twist (NA)

Solenoid valve spool type *

NA = Normally open

NC = Normally closed

* Omit if not required. For example, to order the product without the solenoid cartridge valve, omit the coil connection, coil voltage and manual override options: H17006A-S2.

The manifold will still be provided with the corresponding cavity.

To inhibit a function, replace the related valve options with TL: eg H17006A-S2-TL.

In the cavity it will be mounted a long plug.

Valve	Cavity	Long plug code
Solenoid valve OD.15.05.17-Y-00000 / OD.15.06.17-Y-00000	017-E	R-800-014
Pressure relief valve VMD1.070	CA-10A-2N	0489A2008500000