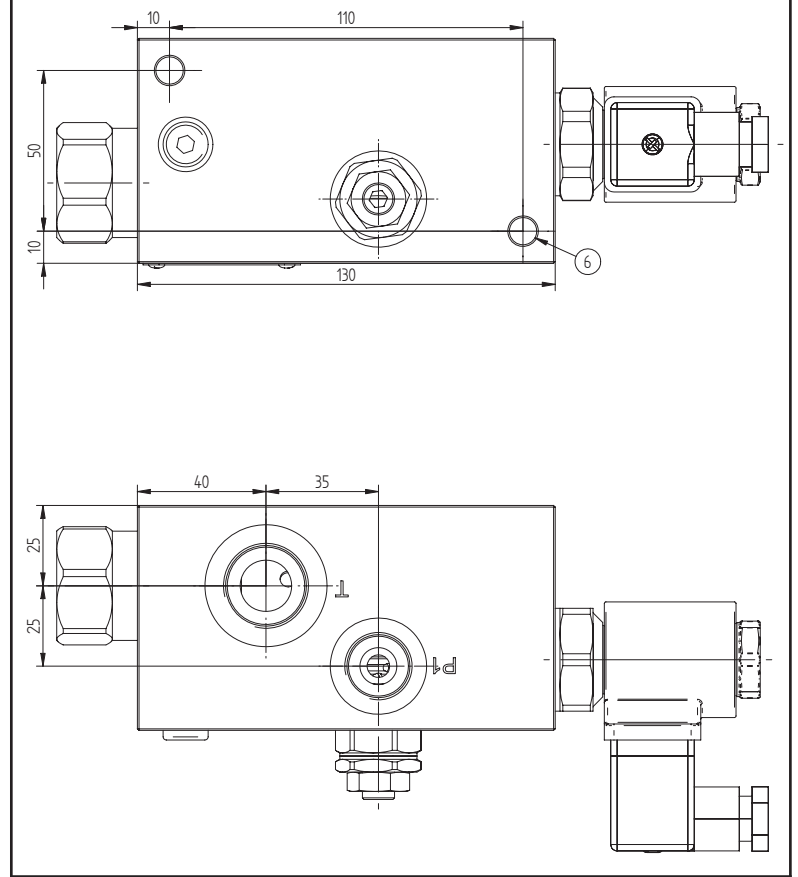
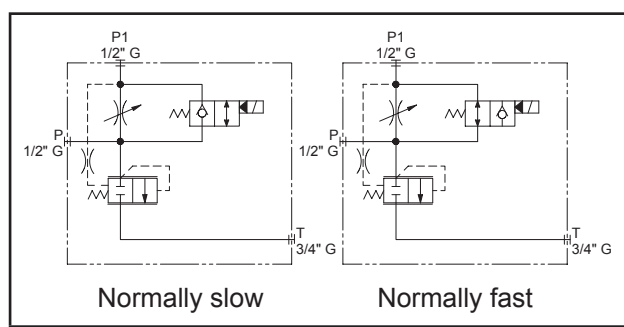
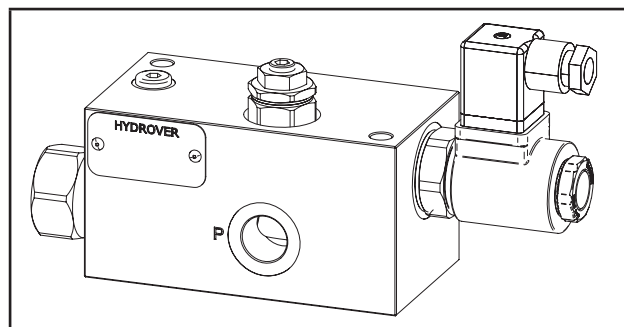


Dimensions in mm

Technical data	
Max. pressure	250 bar
Max. flow	60 lpm
Weight	2,3 Kg
Manifold material	Aluminum
P / P1 ports	1/2" G
T port	3/4" G



N°	Description	Q.ty
1	Pressure compensator	1
2	Bosch Rexroth bidirectional flow restrictor OD.21.01-X-56 * depicted with screw adjustment	1
3	Bosch Rexroth solenoid valve for fast slow function OD.15.05.17-Y-00000 * (normally slow) o OD.15.06.17-Y-00000 (normally fast)	1
4	Bosch Rexroth coil D36 - CLASS H DIN 43650 ISO 4400 *	1
5	Connector DIN 43650 ISO 4400	1
6	Ø 8,5 through hole for mounting	2

* for complete technical information, click on the blue link or go to the components section at the end of the catalogue

Ordering code

H 1 7 0 1 5 A _ _ Q - _ - - _ - -

Hydrover product

Product series

Serie 17 - Inline valves

Product ID

Manifold material

Aluminum

Compensator spring

5.5 bar (standard) = 6
 12.5 bar = 1
 19 bar = 2

Restrictor adjustment type

Screw = S
 Knob = K

Fast slow solenoid valve coil connection *

1 = DIN 43650
 ISO 4400

Solenoid valve coil voltage *

OB = 12V DC
 OC = 24V DC
 OD = 48V DC
 OU = 110V RAC
 AH = 230V RAC

Fast slow solenoid valve manual override *

E0 = Without
 EP = Push (NR)
 EV = Screw (NL)
 EG = Push and twist (NR)

Slow or fast in normal position *

NL = Normally slow
 NR = Normally fast

* Omit if not required. For example, to order the product without the fast slow solenoid cartridge valve, omit the fast slow coil connection, coil voltage and manual override options: H17015A6SQ.
 The manifold will still be provided with the corresponding cavity.
 To inhibit a function, replace the related valve options with TL: eg H17015A6SQ-TL.
 In the cavity it will be mounted a long plug.

Valve	Cavity	Long plug code
Solenoid valve OD.15.05.17-Y-00000 / OD.15.06.17-Y-00000	017-E	R-800-014