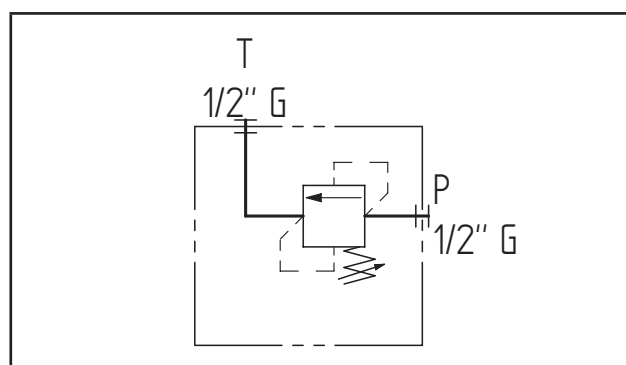
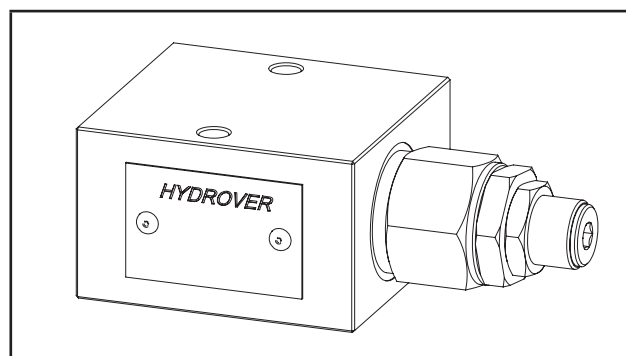


Technical data	
Max. pressure	350 bar
Max. flow	70 lpm
Weight	1,2 Kg
Manifold material	Steel
P / T ports	1/2" G



N°	Description	Q.ty
1	Bosch Rexroth relief valve VMD1.070 *	1
2	Ø 6,5 through hole for mounting	2

* for complete technical information, click on the blue link or go to the components section at the end of the catalog

Ordering code

H	1	7	0	1	8	S	-	-
---	---	---	---	---	---	---	---	---

Hydrover product

Product series

Serie 17 - Inline valves

Product ID

Manifold material

Steel

Relief valve adjustment pressure range (Q=5 lpm) *

- 0 = 10-60 bar
- 1 = 40-110 bar
- 2 = 110-220 bar
- 3 = 220-260 bar

Relief valve adjustment type *

S = Screw

* Omit if not required. To order the product without the pressure relief cartridge valve, omit the pressure range and the adjustment type options: H17018S.
The manifold will still be provided with the corresponding cavity.