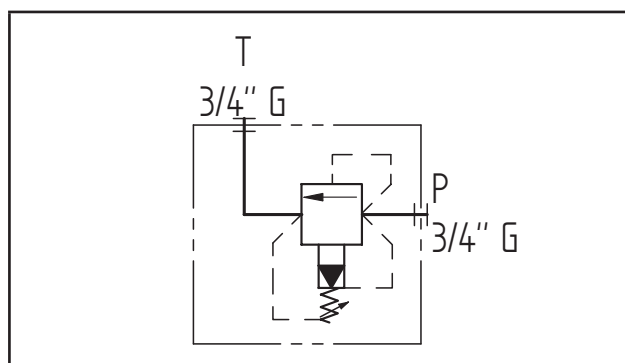
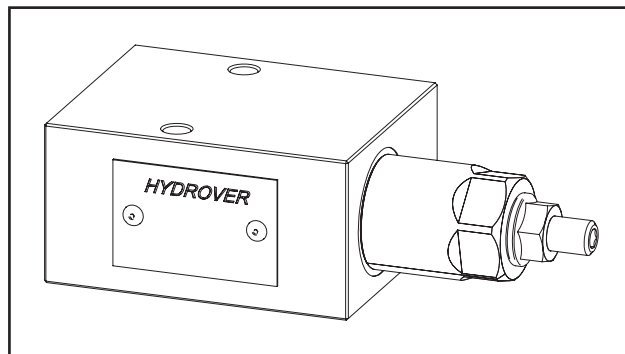


Technical data	
Max. pressure	350 bar
Max. flow	120 lpm
Weight	1,3 Kg
Manifold material	Steel
P / T ports	3/4" G



N°	Description	Q.ty
1	Bosch Rexroth relief valve <b>VSPN-10A</b> depicted with screw adjustment *	1
2	Ø 6,5 through hole for mounting	2

\* for complete technical information, click on the blue link or go to the components section at the end of the catalogue

Ordering code

H	1	7	0	1	9	S	-	_	_
---	---	---	---	---	---	---	---	---	---

**Hydrover product**

**Product series**

Serie 17 - Inline valves

**Product ID**

**Manifold material**

Steel

**Relief valve adjustment pressure range \***

- 1 = 35-140 bar
- 2 = 70-280 bar
- 3 = 140-420 bar
- 3 = 35-350 bar (adj. knob)

**Relief valve adjustment type \***

- S = Screw
- K = Knob

\* Omit if not required. To order the product without the pressure relief cartridge valve, omit the pressure range and the adjustment type options: H17019S.  
The manifold will still be provided with the corresponding cavity.