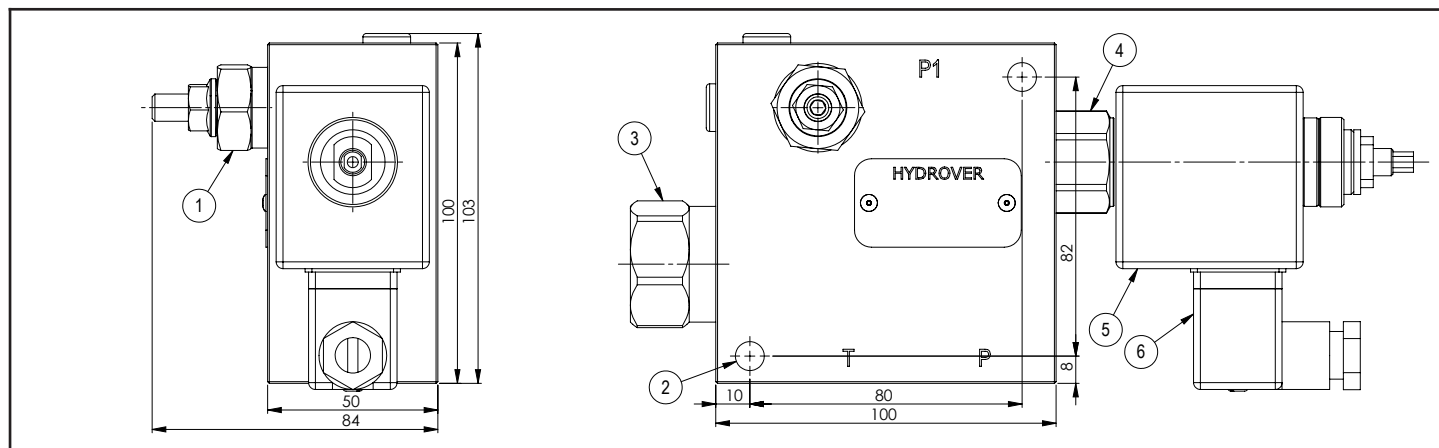
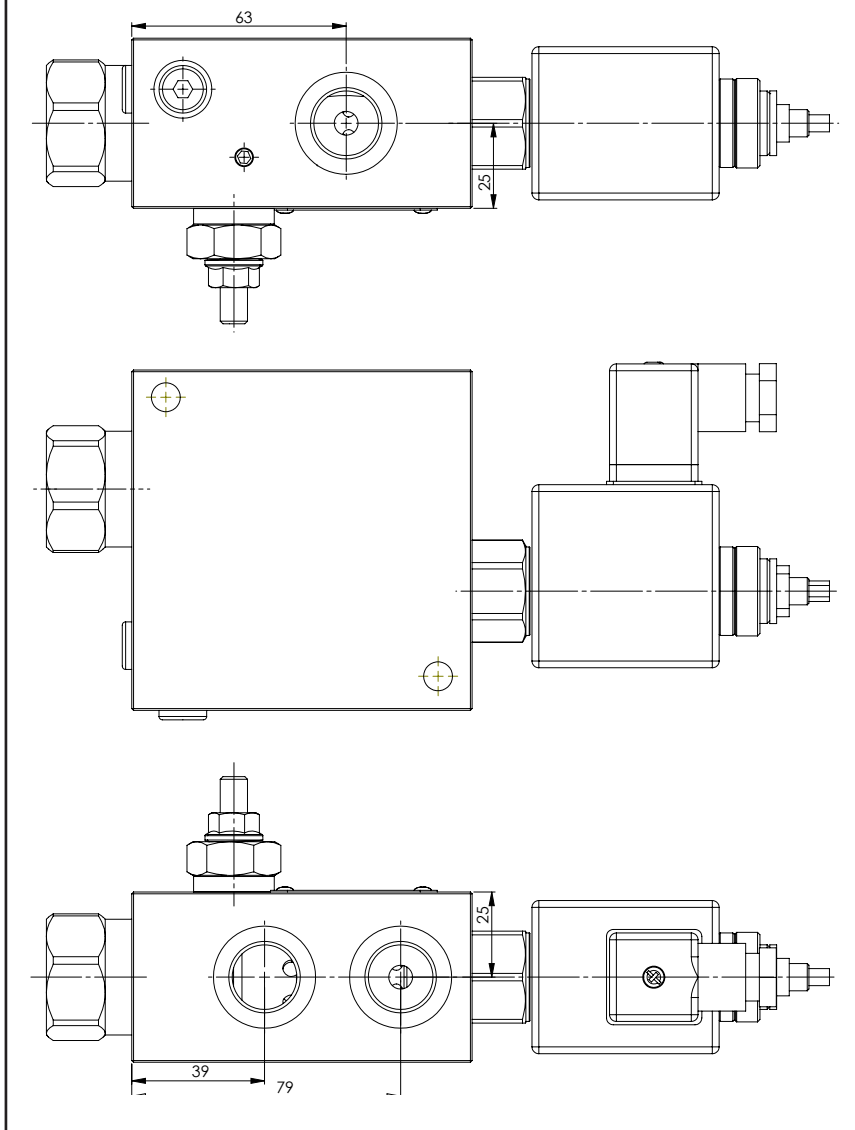
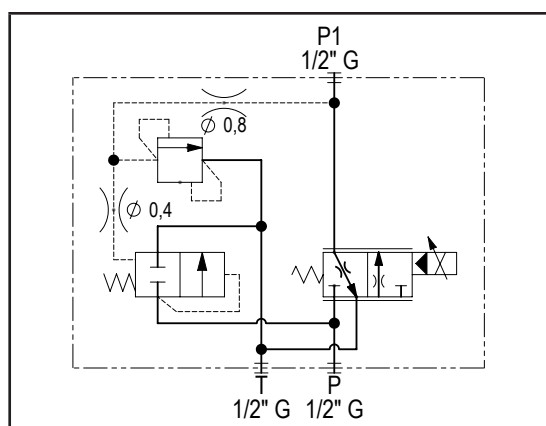
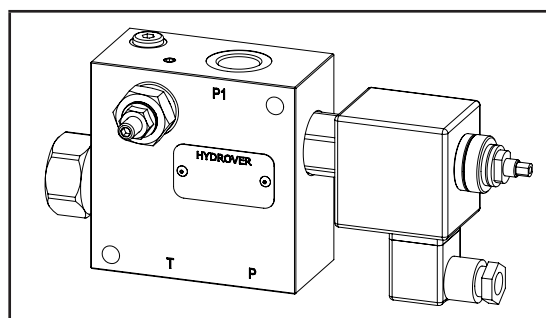


Inline valve with proportional 3 way compensated flow regulation and relief **H17020**



Dimensions in mm

| Technical data | |
|-------------------|----------------------------------|
| Max. pressure | 210 bar |
| Input max. flow | 65 lpm |
| Weight | Aluminium 2,3 Kg Steel 4,4 Kg |
| Manifold material | Aluminium or steel |
| P / P1 / T ports | 1/2" G |



| N° | Description | Q.ty |
|----|---|------|
| 1 | Bosch Rexroth relief valve VSN-08A * | 1 |
| 2 | $\phi 8,5$ through hole for mounting | 2 |
| 3 | Pressure compensator | 1 |
| 4 | Bosch Rexroth proportional solenoid valve VEP-5A-2Q-09 / OD.92.05.77-Y-Z * | 1 |
| 5 | Bosch Rexroth coil S5-356 - CLASS H DIN 43650 ISO 4400 * | 1 |
| 6 | Connector DIN 43650 ISO 4400 | 1 |

* for complete technical information, click on the blue link or go to the components section at the end of the catalogue

Ordering code

| | | | | | | | | | | | | | | | | | |
|---|---|---|---|---|---|---|---|---|---|---|---|---|---|---|---|---|---|
| H | 1 | 7 | 0 | 2 | 0 | _ | _ | _ | _ | - | _ | _ | _ | - | _ | _ | _ |
|---|---|---|---|---|---|---|---|---|---|---|---|---|---|---|---|---|---|

Hydrover product

Product series

17 series - Inline valves

Product ID

Manifold material

Aluminium
Steel

= A
= S

Compensator spring

5.5 bar (standard)
12.5 bar
19 bar

= 6
= 1
= 2

Relief valve adjustment type *

Screw
Knob

= S
= K

Relief valve adjustment pressure range *

10-70 bar
35-140 bar
105-210 bar
175-350 bar
35-350 bar (adj. knob)

= 0
= 1
= 2
= 3
= 3

Proportional solenoid valve coil connection *

1 = DIN 43650 ISO 4400

Proportional solenoid valve coil voltage *

OB = 12V DC
OC = 24V DC

Proportional solenoid valve max. flow *

1 = 20 lpm
2 = 30 lpm
3 = 40 lpm

To evaluate the max. flow refer to **VEP-5A-2Q-09 / OD.92.05.77-Y-Z** proportional solenoid valve catalogue and to the compensator spring.

Proportional solenoid valve manual override *

E0 = Without
EV = Screw

* Omit if not required. For example, to order the product without the proportional solenoid cartridge valve, omit the coil connection, coil voltage, max. flow and manual override options: H17020A6S2.

The manifold will still be provided with the corresponding cavity.

To inhibit a function, replace the related valve options with TL: eg H17020A6TL-EV2-OC1.

In the cavity it will be mounted a long plug.

| Valve | Cavity | Long plug code |
|-------------------------------------|-----------|------------------------|
| Bosch Rexroth relief valve VSBN-08A | CA-08A-2N | 0489A2005600000 |