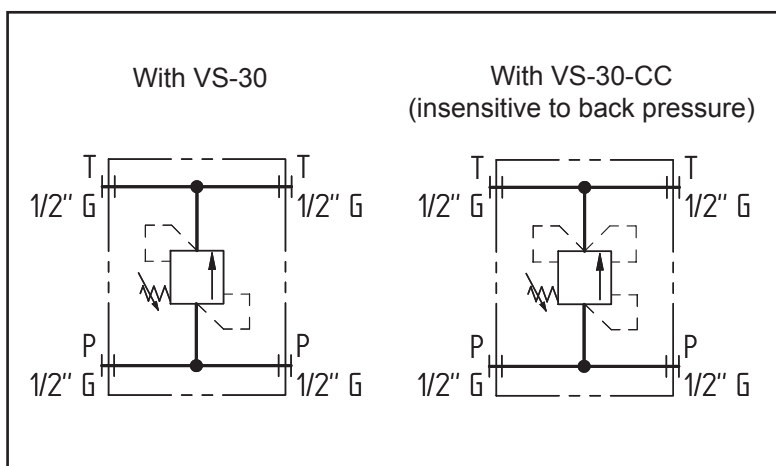
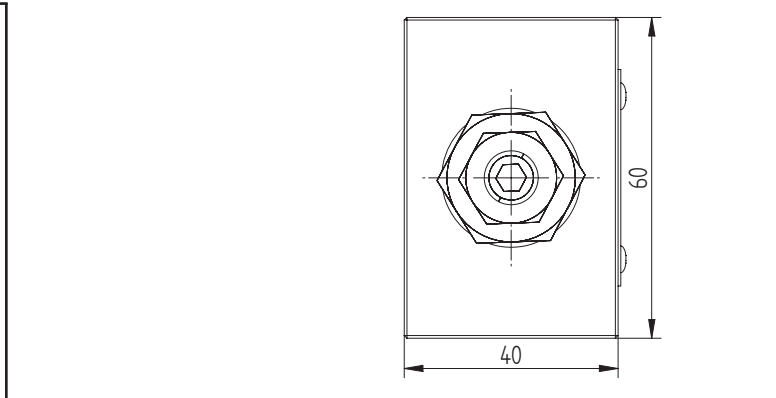
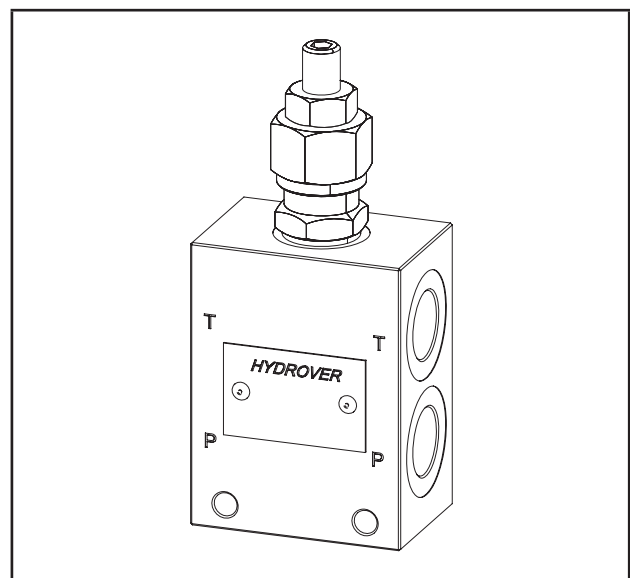


| Technical data | |
|-------------------|----------|
| Max. pressure | 250 bar |
| Max. flow | 30 lpm |
| Weight | 0,6 Kg |
| Manifold material | Aluminum |
| P / T ports | 1/2" G |



| N° | Description | Q.ty |
|----|--|------|
| 1 | Bosch Rexroth relief valve VS-30 (as depicted) or VS-30-CC * | 1 |
| 2 | Ø 6,5 through hole for mounting | 2 |

* for complete technical information, click on the blue link or go to the components section at the end of the catalogue

Ordering code

| | | | | | | | | | |
|---|---|---|---|---|---|---|---|---|---|
| H | 1 | 7 | 0 | 2 | 1 | A | - | - | - |
|---|---|---|---|---|---|---|---|---|---|

Hydrover product

Product series

Serie 17 - Inline valves

Product ID

Manifold material

Aluminum

Relief valve type *

M = VS-30
S = VS-30-CC

Relief valve adjustment pressure range *

0 = 5-50 bar
1 = 30-100 bar
2 = 50-210 bar
3 = 100-350 bar

Relief valve adjustment type *

S = Screw
K = Knob (only for VS-30)

* Omit if not required. To order the product without the pressure relief cartridge valve, omit the relief valve type, adjustment pressure range and the adjustment type options: H17021A.
The manifold will still be provided with the corresponding cavity.