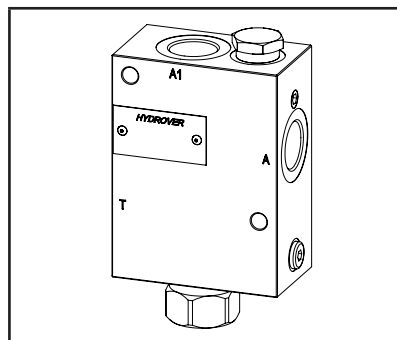
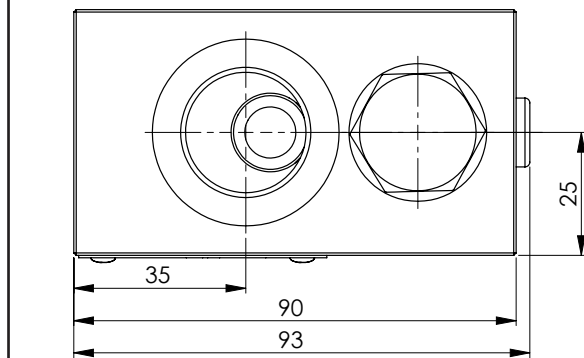
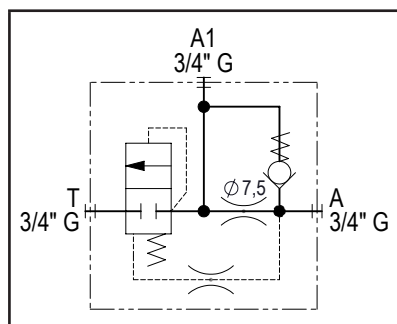


Dimensions in mm

Technical data	
Max. pressure	350 bar
Max. flow A (input)	60 lpm
Max. flow A1 (output)	120 lpm
Weight	3,9 Kg
Manifold material	Steel
A / A1 / T ports	3/4" G



N°	Description	Q.ty
1	∅ 8,5 through hole for mounting	2
2	Bosch Rexroth check valve	1
3	Pressure compensator	1



Ordering code

H	1	7	0	2	4	S	-	D	7	5
---	---	---	---	---	---	---	---	---	---	---

Hydrover product

Orifice diameter A-A1
7,5 - Customized on request

Product series
17 series - Inline valves

Manifold material
Steel

Product ID

Application example

