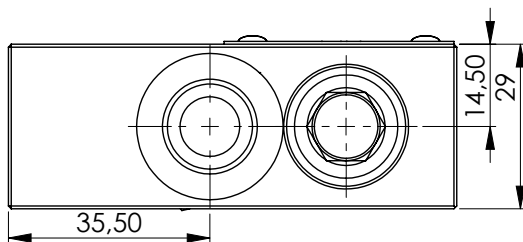
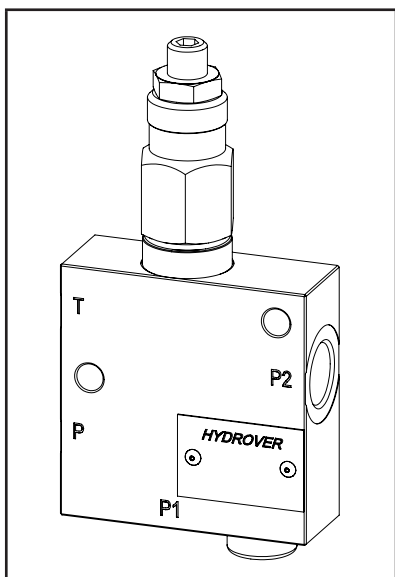
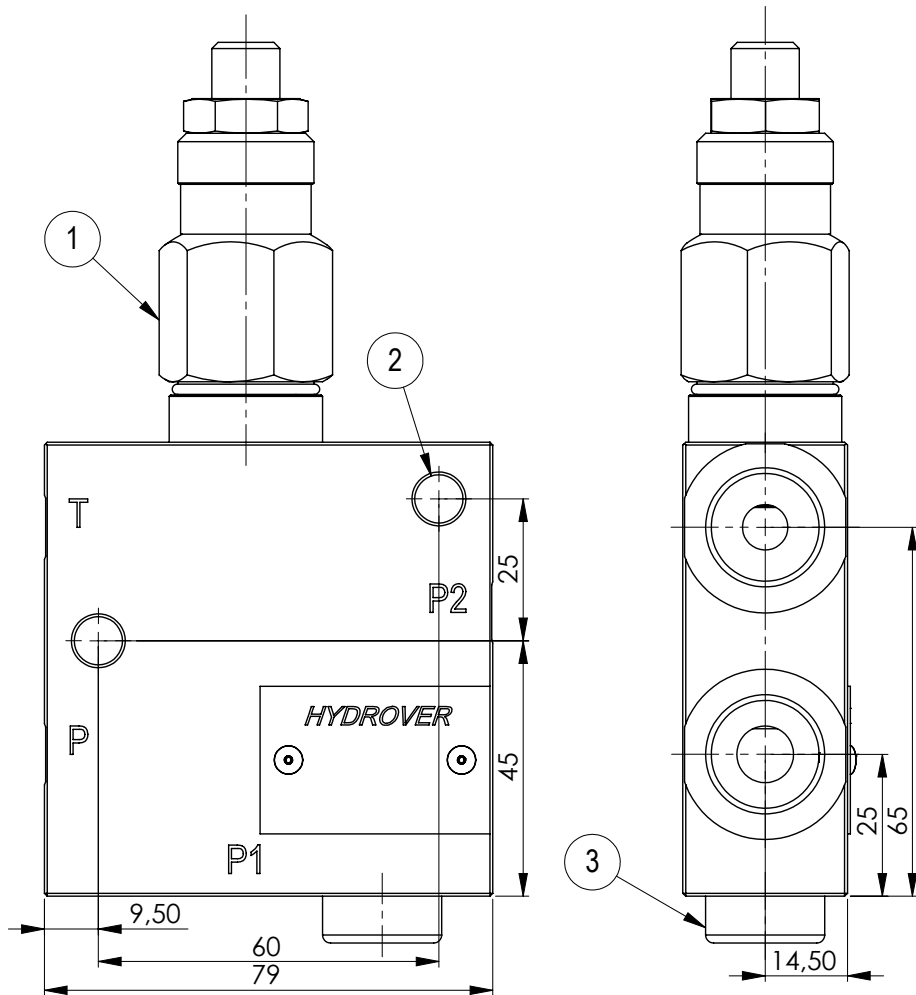
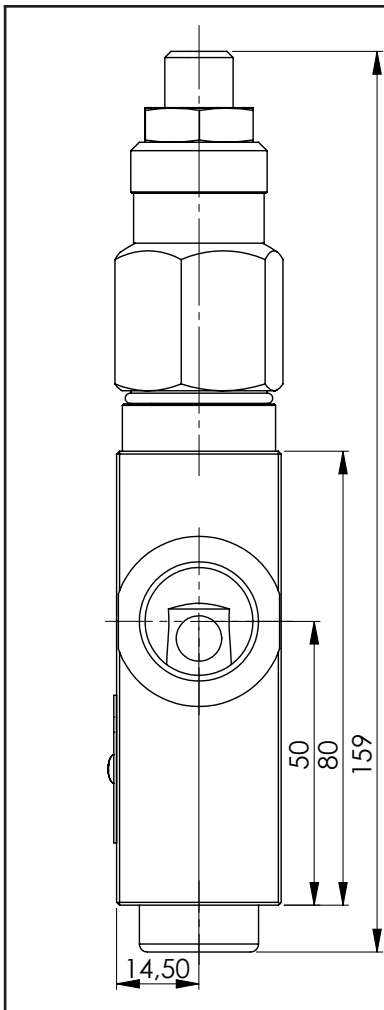


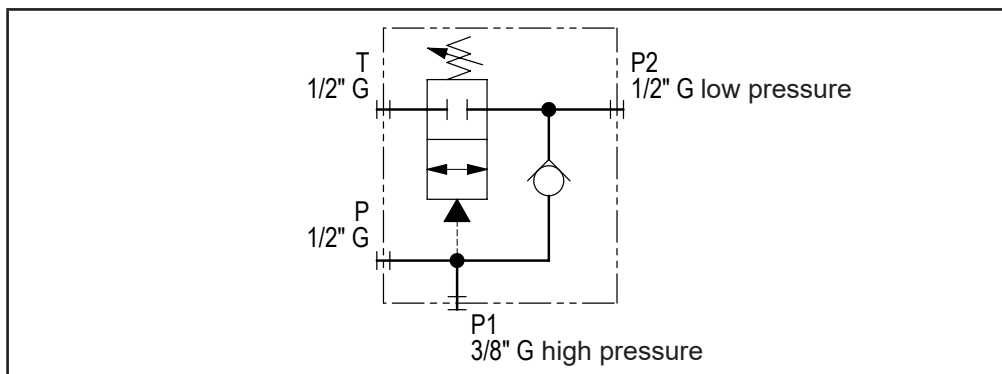
Technical data	
Max. pressure	350 bar
Max. flow	40 lpm
Weight	1,1 Kg
Manifold material	Steel
P1 port	3/8" G
P / P2 / T ports	1/2" G



Dimensions in mm



N°	Description	Q.ty
1	Directional valve normally closed	1
2	Ø 8,5 through hole for mounting	2
3	Bosch Rexroth check valve VUM1.060	1



Ordering code

H	1	7	0	2	7	S	-	_	_
---	---	---	---	---	---	---	---	---	---

Hydrover product

Product series

17 series - Inline valves

Product ID

Manifold material

Steel

Directional valve pressure range *

- 1 = 5-35 bar
- 2 = 14-70 bar
- 3 = 35-105 bar
- 4 = 70-210 bar

Directional valve adjustment type *

S = Screw