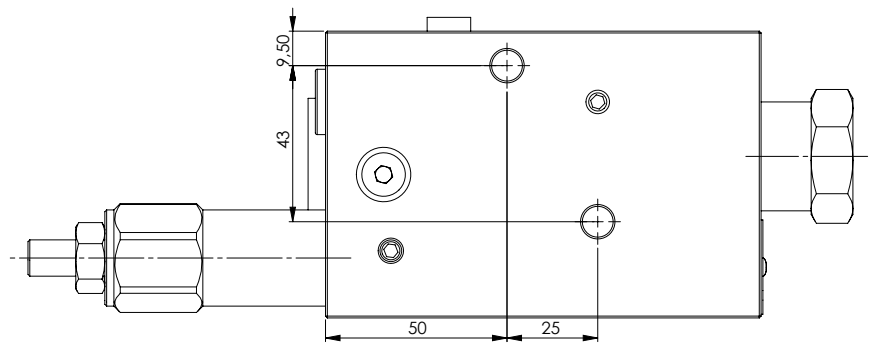
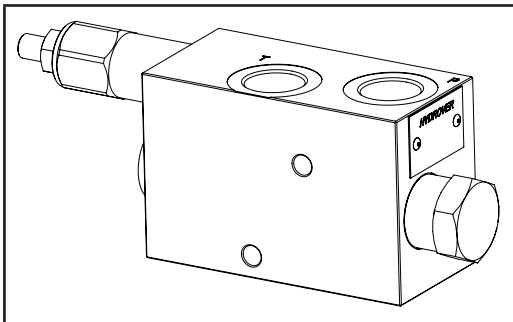
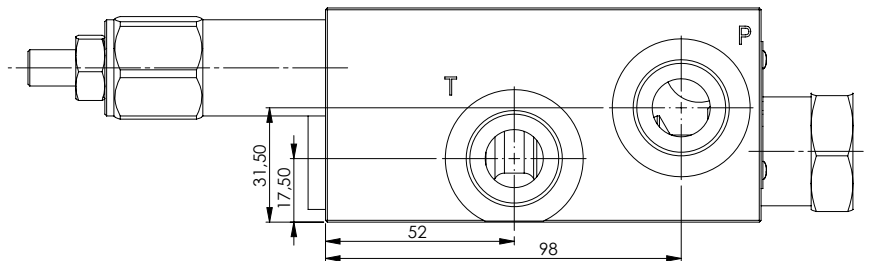
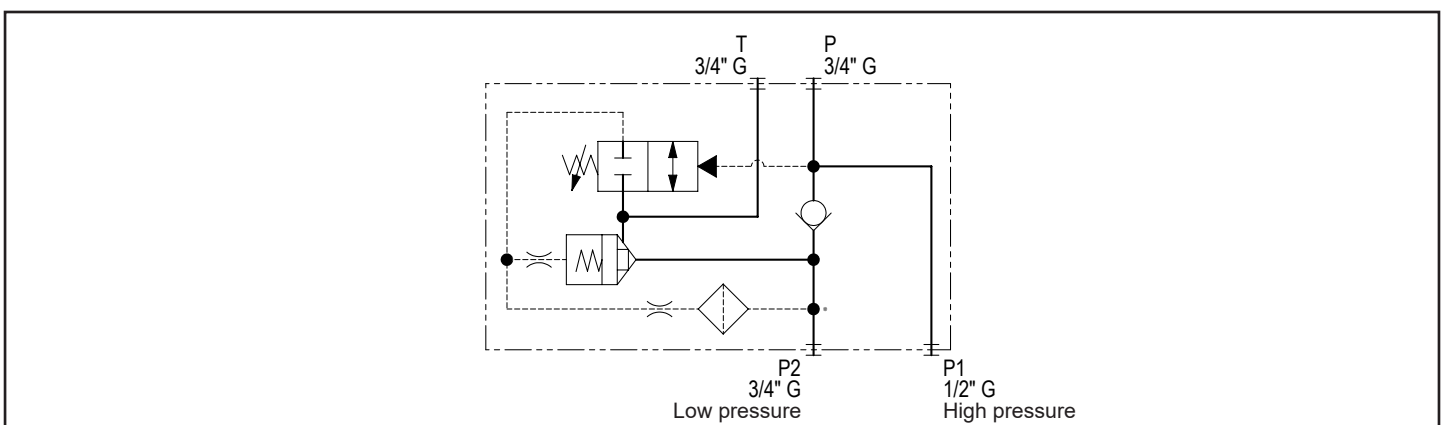
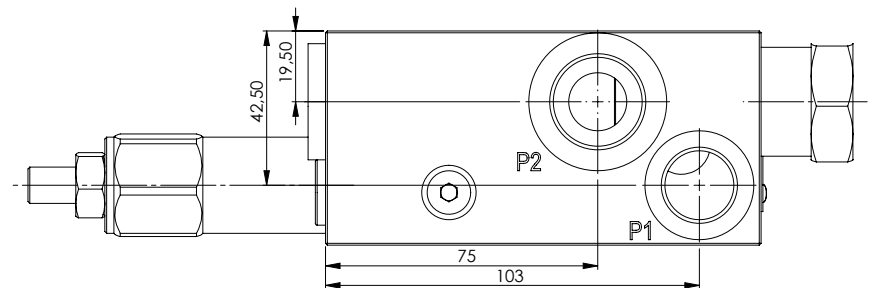


Dimensions in mm

Technical data	
Max. pressure	350 bar
Max. flow	150 lpm
Weight	4 Kg
Manifold material	Steel
P1 port	1/2" G
P / P2 / T ports	3/4" G



N°	Description	Q.ty
1	Directional valve normally closed 20-180 bar	1
2	Hydrover logic element	1
3	Ø 8,5 through hole for mounting	2
4	Bosch Rexroth check valve	1



H17028

Ordering code

H	1	7	0	2	8	S
---	---	---	---	---	---	---

Hydrover product

Manifold material
Steel

Product series
17 series - Inline valves

Product ID