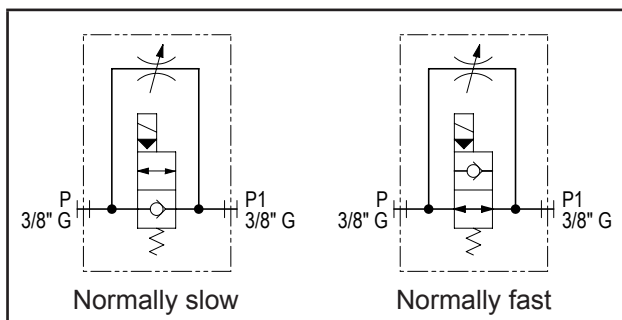
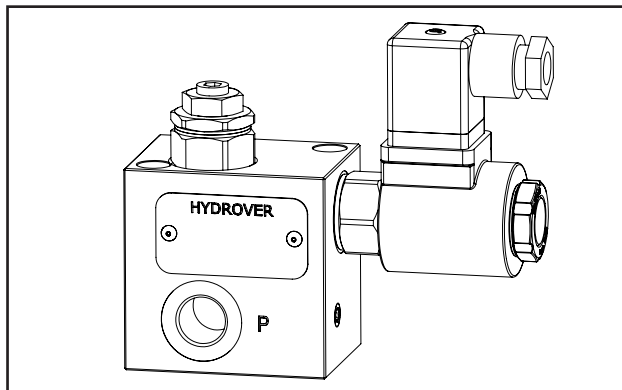


Technical data	
Max. pressure	250 bar
Max. flow	30 lpm
Weight	1 Kg
Manifold material	Aluminum
P / P1 ports	3/8" G



N°	Description	Q.ty
1	Bosch Rexroth bidirectional flow restrictor OD.21.01-X-56 * depicted with screw adjustment	1
2	Bosch Rexroth solenoid valve for fast slow function VEI-16-08A-NC OD.15.05.18-Y-00000 (normally slow) or VEI-16-08A-NA OD.15.06.18-Y-00000 (normally fast) depicted without manual override *	1
3	Bosch Rexroth coil D36 - CLASS H DIN 43650 ISO 4400 *	1
4	Connector DIN 43650 ISO 4400	1
5	M8x15 with Ø 6,5 through hole for mounting with M6 screw	2

* for complete technical information, click on the blue link or go to the components section at the end of the catalogue

Ordering code

H 1 7 0 3 4 A - _ Q - _ - - - - -

Hydrover product

Product series

Serie 17 - Inline valves

Product ID

Manifold material

Aluminum

Restrictor adjustment type

Screw = S
Knob = K

Slow or fast in normal position *

Normally slow = NL
Normally fast = NR

Fast slow solenoid valve coil connection *

1 = DIN 43650
ISO 4400

Solenoid valve coil voltage *

OB = 12V DC
OC = 24V DC
OD = 48V DC
OU = 110V RAC
AH = 230V RAC

Fast slow solenoid valve manual override *

E0 = Without
EP = Push (NR)
EV = Screw (NL)
EG = Push and twist (NR)

* Omit if not required. For example, to order the product without the fast slow solenoid cartridge valve, omit the fast slow coil connection, coil voltage and manual override options: H17034A-SQ
The manifold will still be provided with the corresponding cavity.
To inhibit a function, replace the related valve options with TL: eg H17034A-SQ-TL.
In the cavity it will be mounted a long plug.

Valve	Cavity	Long plug code
Solenoid valve VEI-16-08A-NC OD.15.05.18-Y-00000 or VEI-16 08A-NA OD.15.06.18-Y-00000	CA-08A-2N	0489A2005600000