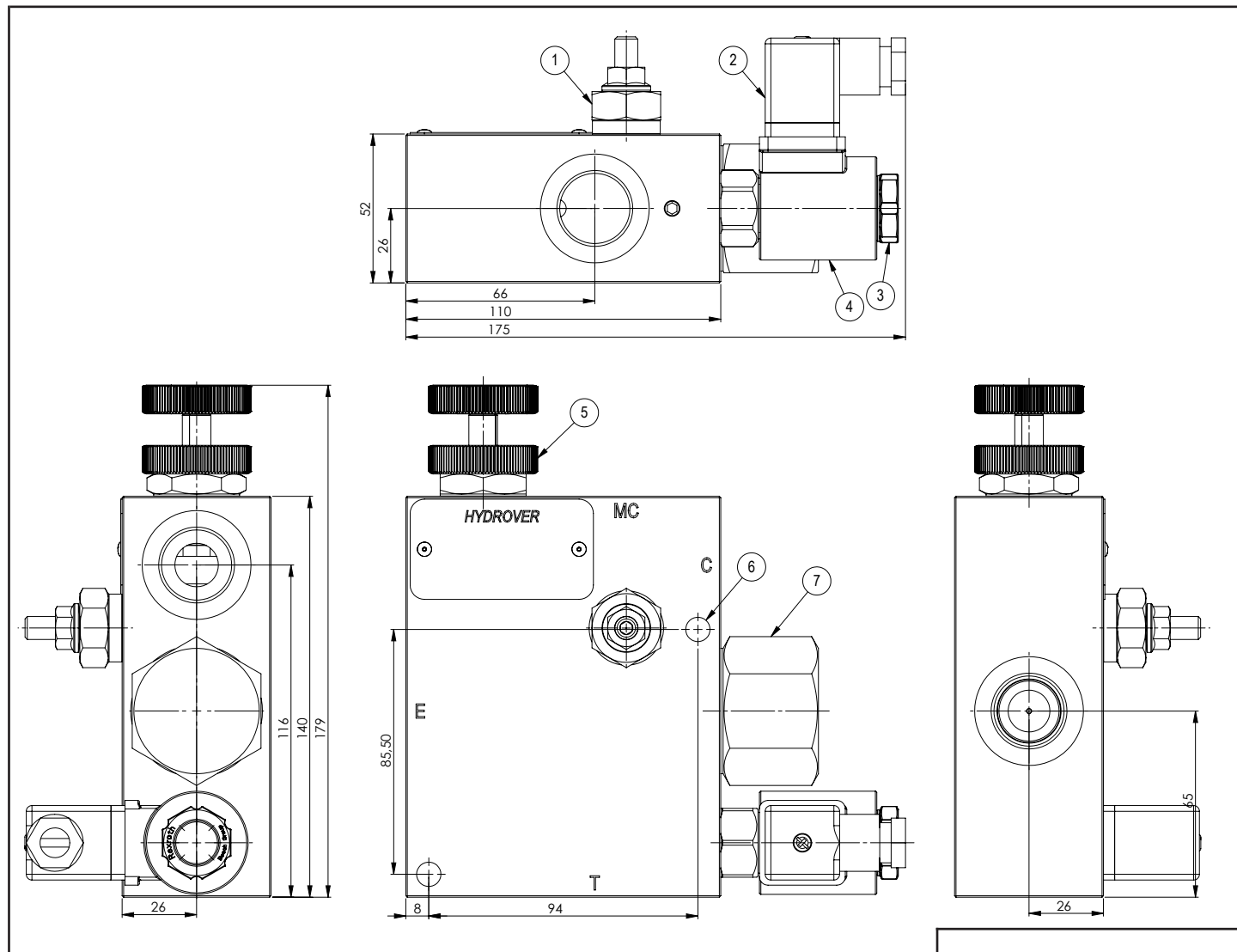
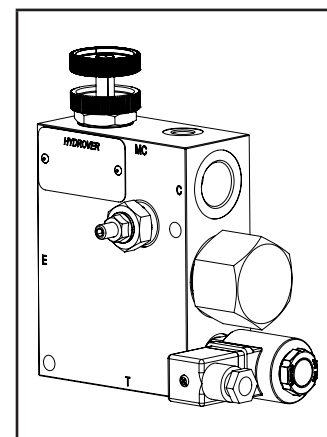
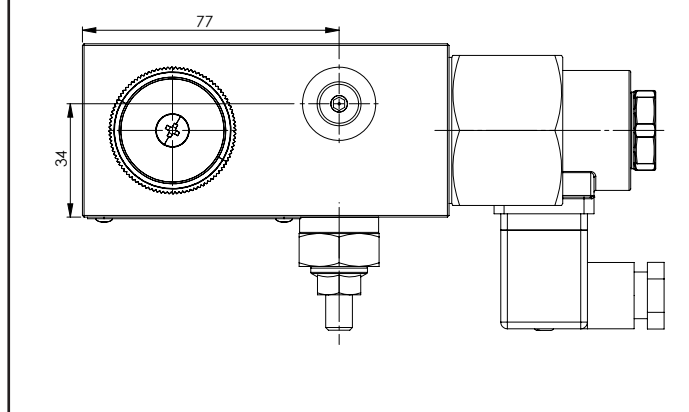


Flow regulator 3 way compensated inline valve with bypass and relief **H17045**

Dimensions in mm



Technical data	
Max. pressure	250 bar
Input max. flow (E)	200 lpm
Ouput regulated max. flow (C)	150 lpm
Weight	3,1 Kg
Manifold material	Aluminium
M port	1/4" G
C / E / T ports	3/4" G



N°	Description	Q.ty
1	Bosch Rexroth relief valve VSN-08A *	1
2	Connector DIN 43650 ISO 4400	1
3	Bosch Rexroth solenoid valve VEI-16-08A-NC OD.15.05.18-Y-000000 (normally closed) o VEI-16-08A-NA OD.15.06.18-Y-000000 (normally open) depicted without manual override *	1
4	Bosch Rexroth coil D36 - CLASS H DIN 43650 ISO 4400 *	1
5	Restrictor Bosch Rexroth	1
6	Ø 8,5 through hole for mounting	2
7	Compensator Bosch Rexroth	1

* for complete technical information, click on the blue link or go to the components section at the end of the catalogue

Ordering code

H 1 7 0 4 5 A - - - - -

Hydrover product

Product series

17 series - Inline valves

Product ID

Manifold material

Aluminium

Relief valve adjustment type *

Screw = S
Knob = K

Relief valve adjustment pressure range *

10-70 bar = 0
35-140 bar = 1
105-210 bar = 2
175-350 bar = 3
35-350 bar (adj. knob) = 3

Solenoid valve coil connection *

1 = DIN 43650
ISO 4400

Solenoid valve coil voltage *

OB = 12V DC
OC = 24V DC
OD = 48V DC
OU = 110V RAC
AH = 230V RAC

Solenoid valve manual override *

E0 = Without
EP = Push (NA)
EV = Screw (NC)
EG = Push and twist (NA)

Solenoid valve spool type *

NA = Normally open
NC = Normally closed

* Omit if not required. For example, to order the product without the solenoid cartridge valve, omit the coil connection, coil voltage and manual override options: H17045A-S2.

The manifold will still be provided with the corresponding cavity.

To inhibit a function, replace the related valve options with TL: eg H17045A-TL-NA-E0-OC1.

In the cavity it will be mounted a long plug.

Valve	Cavity	Long plug code
Solenoid valve VEI-16-08A-NC OD.15.05.18-Y-000000 or VEI-16 08A-NA OD.15.06.18-Y-000000	CA-08A-2N	0489A2005600000
Pressure relief valve VSBN-08A	CA-08A-2N	0489A2005600000

